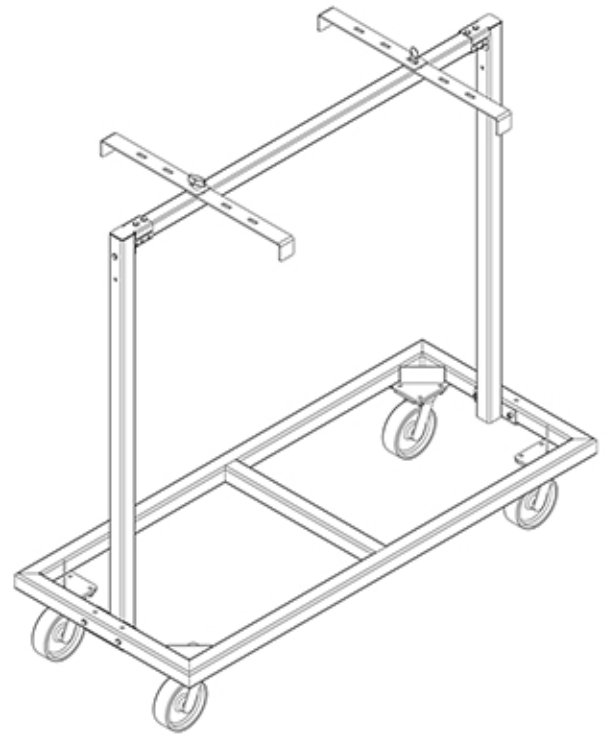


**Construction**
**Features:**

- 2" x 2" Welded Steel Frame Base And Bolted Modular Up Right Construction
- Grade 5 Zinc Plated Bolts With Nylocks
- Standard Black Powder-Coating
- Rigid Or Swivel 6" Urethane Casters With 1,000 lbs. Load Capacity
- Conversion Kits For Wunderstructures, Stair Units & Guardrail
- Optional Crowned Casters, Pneumatic Tiers, Forklift Channels & Storage Baskets Available
- 28" Wide Fully Loaded 6 Deck Cart Fits Through Standard Doorways
- 34" Wide Fully Loaded 8 Deck Cart
- Combo And Custom Designs Available

**Options / Weights:**

- |   |          |
|---|----------|
| • 6-Deck Vertical Cart 4 Swivels Casters          | 149 lbs. |
| • 6-Deck Vertical Cart 2 Swivel / 2 Rigid Casters | 149 lbs. |
| • 8-Deck Vertical Cart 4 Swivel Casters           | 159 lbs. |
| • 8-Deck Vertical Cart 2 Swivel / 2 Rigid         | 159 lbs. |
| • Guardrail Conversion Kit                        | 32 lbs.  |
| • Wunderstructure Conversion Kit                  | 11 lbs.  |



6 Deck Vertical Cart With Basket



Vertical Guardrail Cart



6 Deck Vertical Cart



Easy To Assemble Bolt Construction



8 Deck Vertical Cart