

TABLE OF CONTENTS	
PAGE NUMBER	DESCRIPTION
2	PARTS LIST AND LAYOUT
3-6	PARTS A-D DETAIL DRAWINGS
7-10	STEP BY STEP ASSEMBLY INSTRUCTIONS

THE INFORMATION CONTAINED IN THIS DRAWING IS THE SOLE PROPERTY OF STAGING DIMENSIONS INC. ANY REPRODUCTION IN PART OR AS A WHOLE WITHOUT THE WRITTEN PERMISSION OF AN OFFICER OF STAGING DIMENSIONS IS PROHIBITED.

SCALE: 1:4

O/N:

## ASSEMBLY INSTRUCTIONS

DWN BY: JB

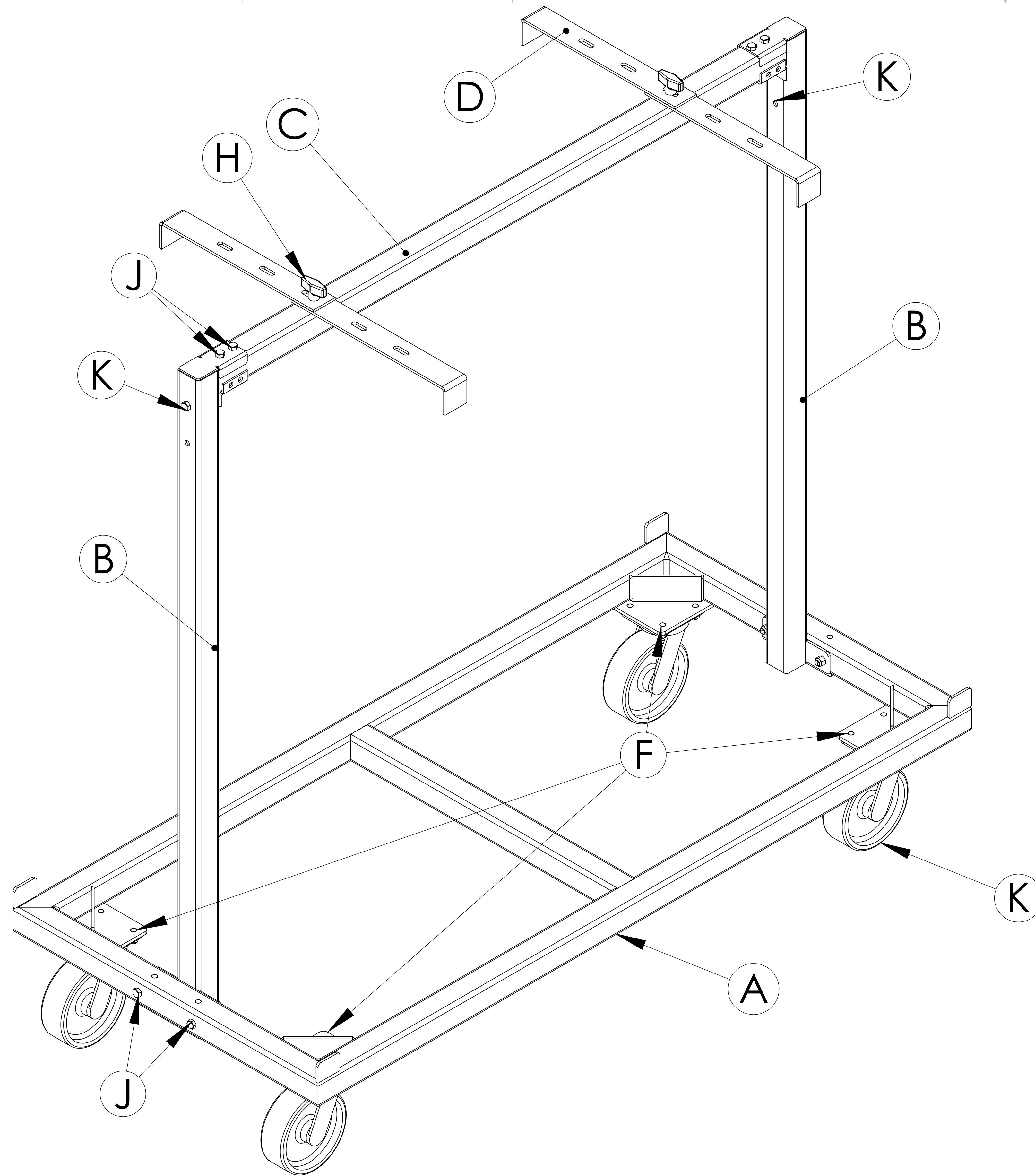
DATE: 7/11/2018

6 DECK VERTICAL CART

STANDARD CONFIGURATION



**STAGING DIMENSIONS**  
 31 Blevins Drive ~ Suite A ~ New Castle, DE 19720  
 (846) 591-3471 ~ (302) 328-4100 PH ~ (302) 328-1034 FX  
 sales@stagingdimensions.com ~ www.stagingdimensions.com



PART #	DESCRIPTION	QTY
A	6 DECK VERTICAL CART BASE	1
B	VERTICAL CART UPRIGHT	2
C	VERTICAL CART CROSSBAR	1
D	VERTICAL CART CLAW	4
E	3/8-16 NYLOCK NUTS, LOOSE	10
F	3/8-16 NYLOCK NUTS, INSTALLED	16
G	3/8-16 FLANGE NUTS, LOOSE	4
H	3/8-16 THREADED KNOB	2
J	3/8-16 X 2-3/4" LONG HHCS	8
K	3/8-16 X 2-1/2" LONG HHCS	2
L	6" SWIVEL CASTERS	4

THE INFORMATION CONTAINED IN THIS DRAWING IS THE SOLE PROPERTY OF STAGING DIMENSIONS INC. ANY REPRODUCTION IN PART OR AS A WHOLE WITHOUT THE WRITTEN PERMISSION OF AN OFFICER OF STAGING DIMENSIONS IS PROHIBITED.

SCALE: 1:4

O/N:

## ASSEMBLY INSTRUCTIONS

DWN BY: JB

DATE: 7/11/2018

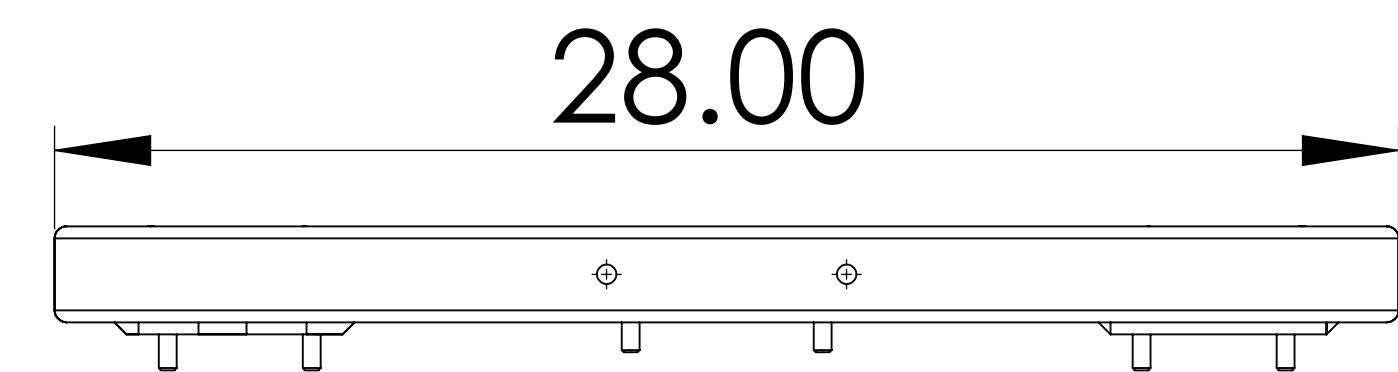
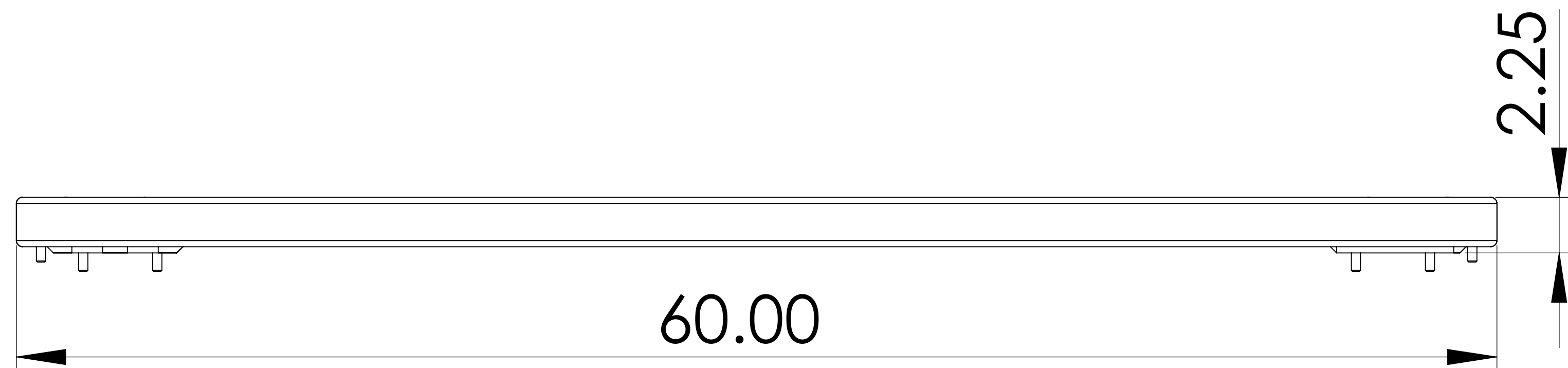
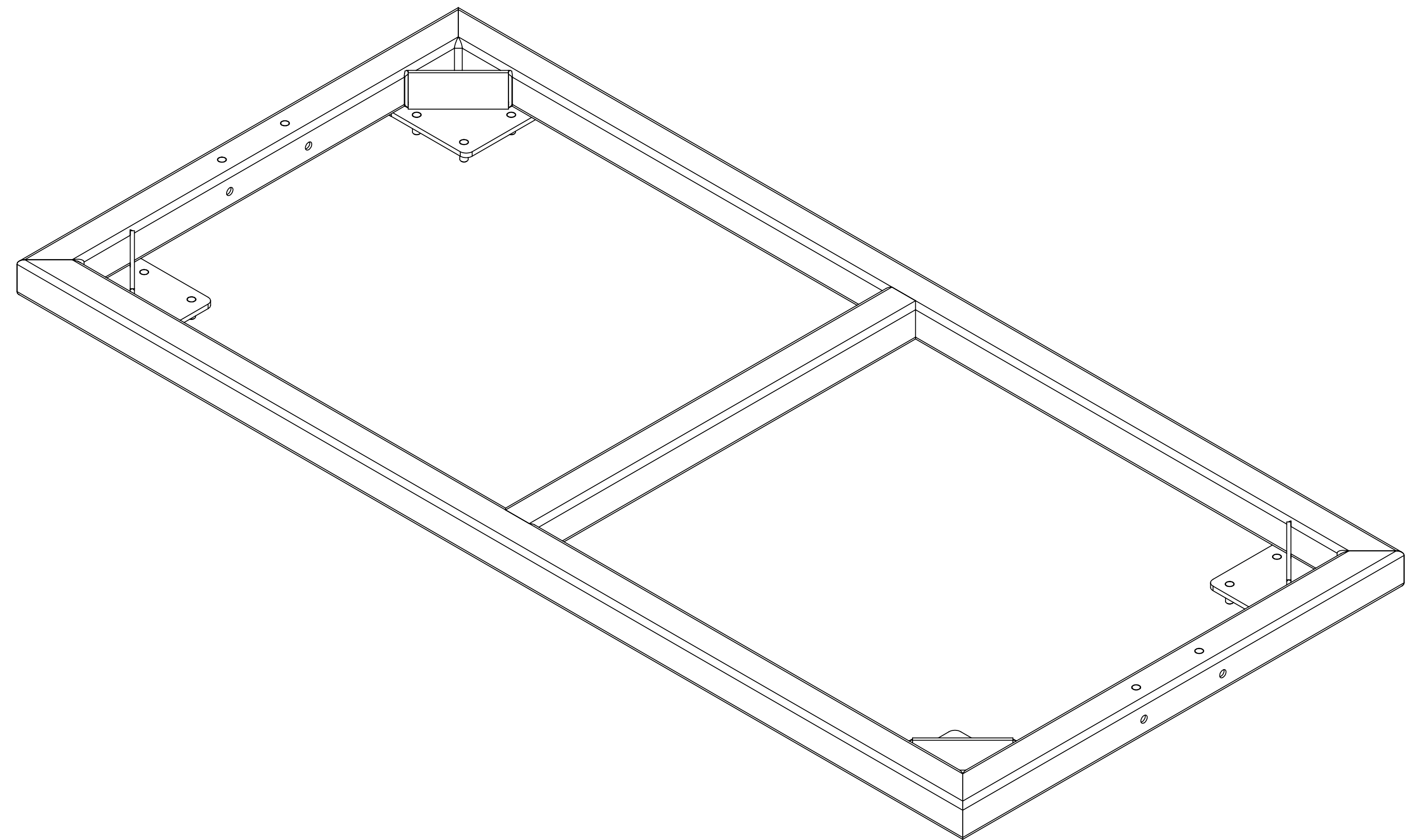
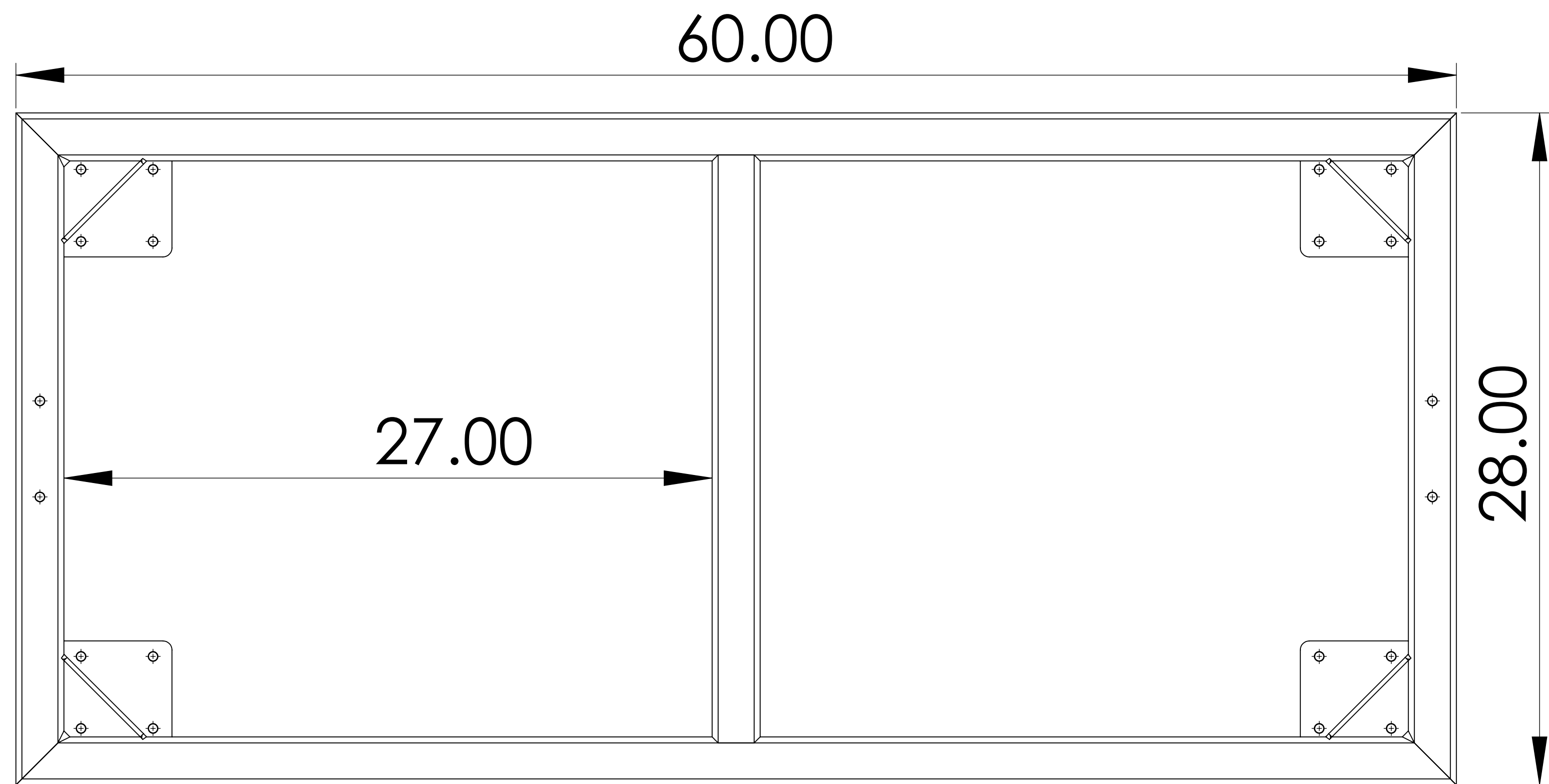
6 DECK VERTICAL CART

STANDARD CONFIGURATION



**STAGING DIMENSIONS**  
 31 Blevins Drive ~ Suite A ~ New Castle, DE 19720  
 (866) 591-3471 ~ (302) 328-4100 PH ~ (302) 328-1034 FX  
 sales@stagingdimensions.com ~ www.stagingdimensions.com





THE INFORMATION CONTAINED IN THIS DRAWING IS THE SOLE PROPERTY OF STAGING DIMENSIONS INC. ANY REPRODUCTION IN PART OR AS A WHOLE WITHOUT THE WRITTEN PERMISSION OF AN OFFICER OF STAGING DIMENSIONS IS PROHIBITED.

SCALE: 1:4

O/N:

DWN BY: JB

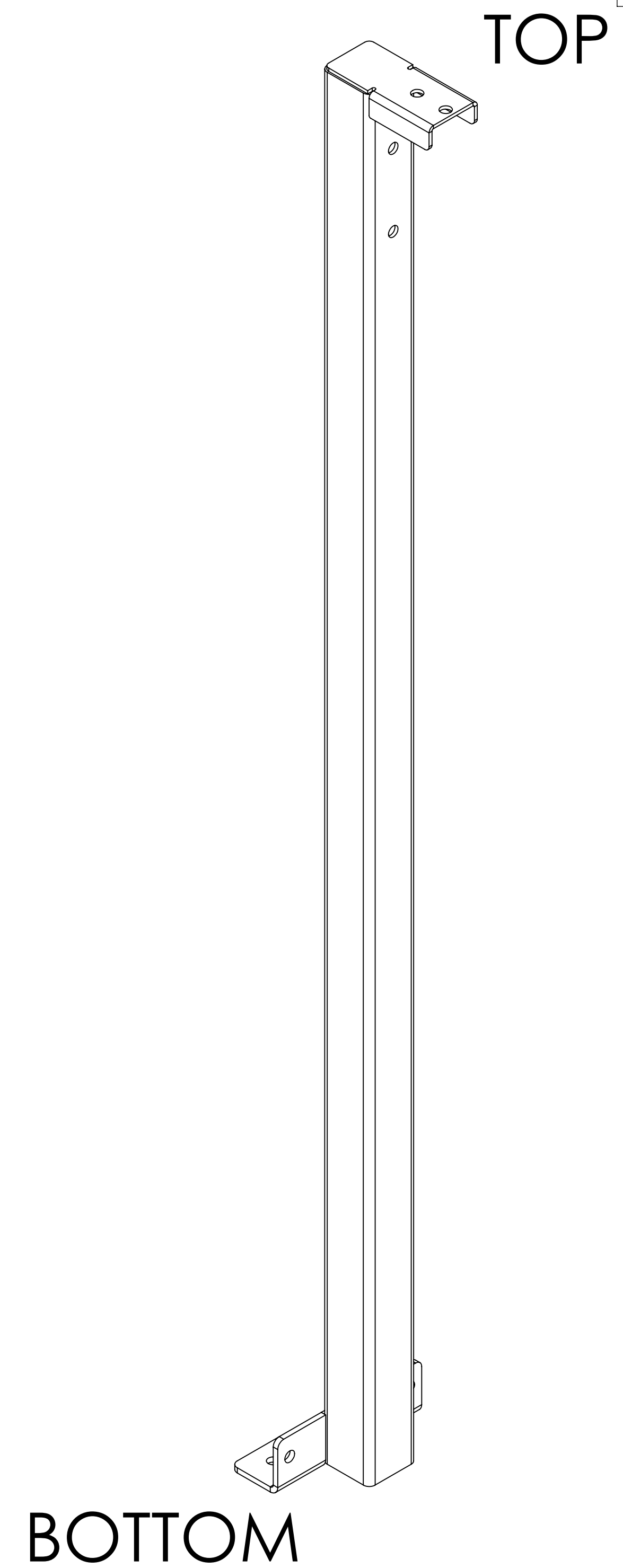
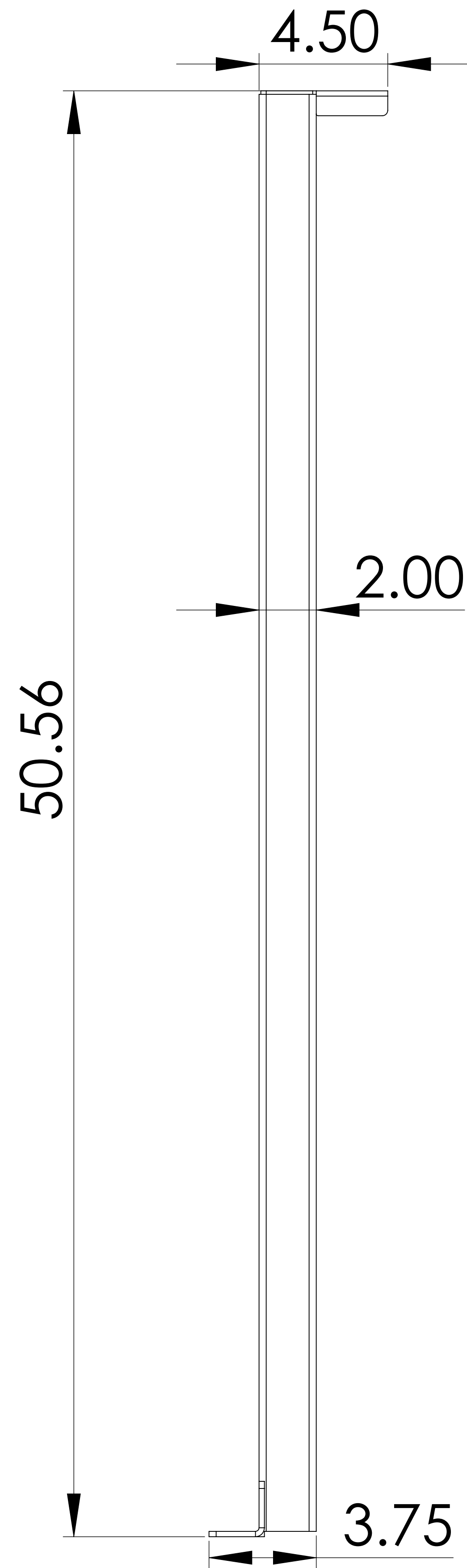
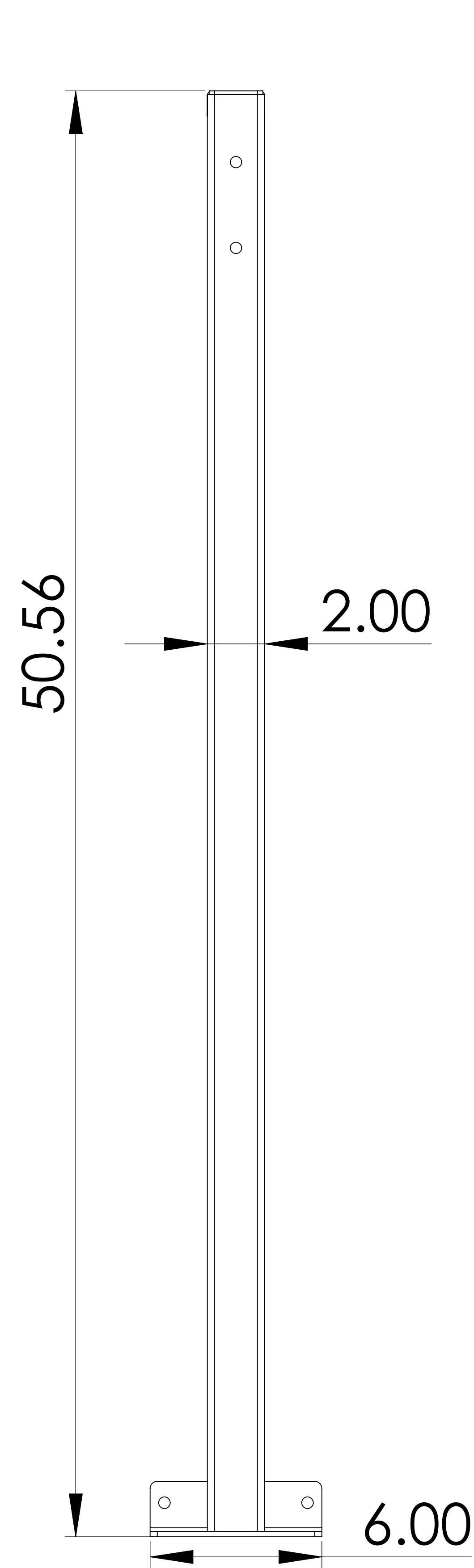
DATE: 7/11/2018

6 DECK VERTICAL CART ASSEMBLY INSTRUCTIONS

STAGING DIMENSIONS, INC.  
31 BLEVINS DRIVE  
NEW CASTLE, DE 19720  
WWW.STAGINGDIMENSIONS.COM

(302) 328-4100  
-PHONE-

(302) 328-1034  
-FAX-



THE INFORMATION CONTAINED IN THIS DRAWING IS THE SOLE PROPERTY OF STAGING DIMENSIONS INC. ANY REPRODUCTION IN PART OR AS A WHOLE WITHOUT THE WRITTEN PERMISSION OF AN OFFICER OF STAGING DIMENSIONS IS PROHIBITED.

SCALE: 1:3

O/N:

DWN BY: JB

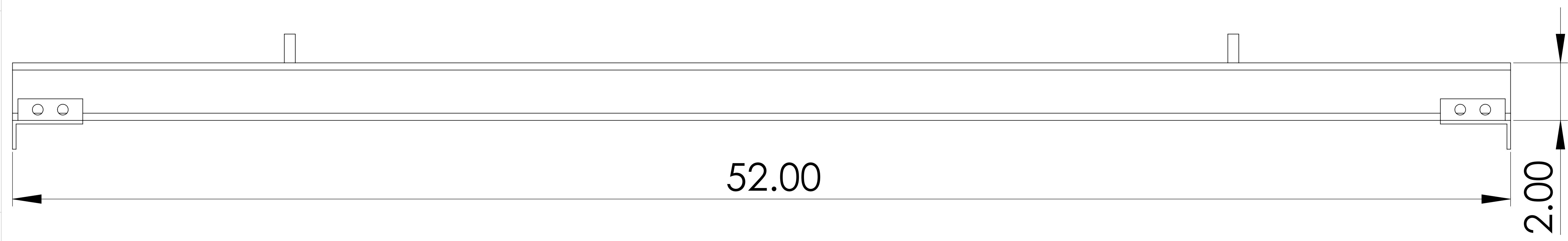
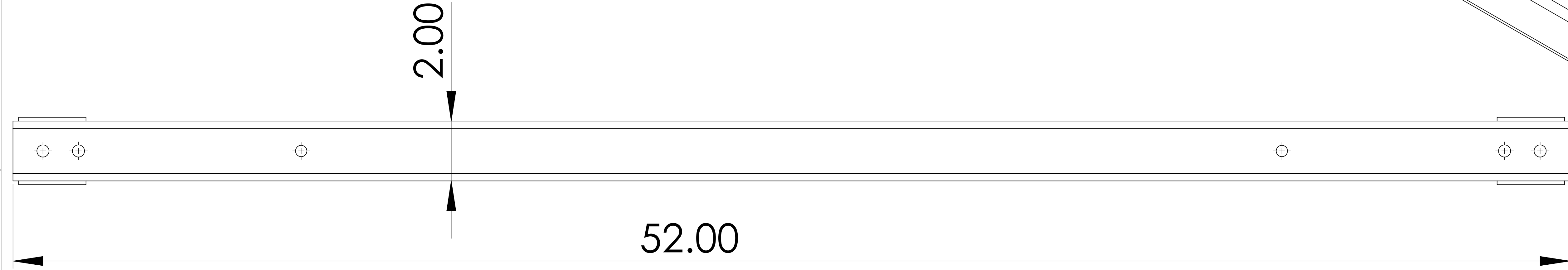
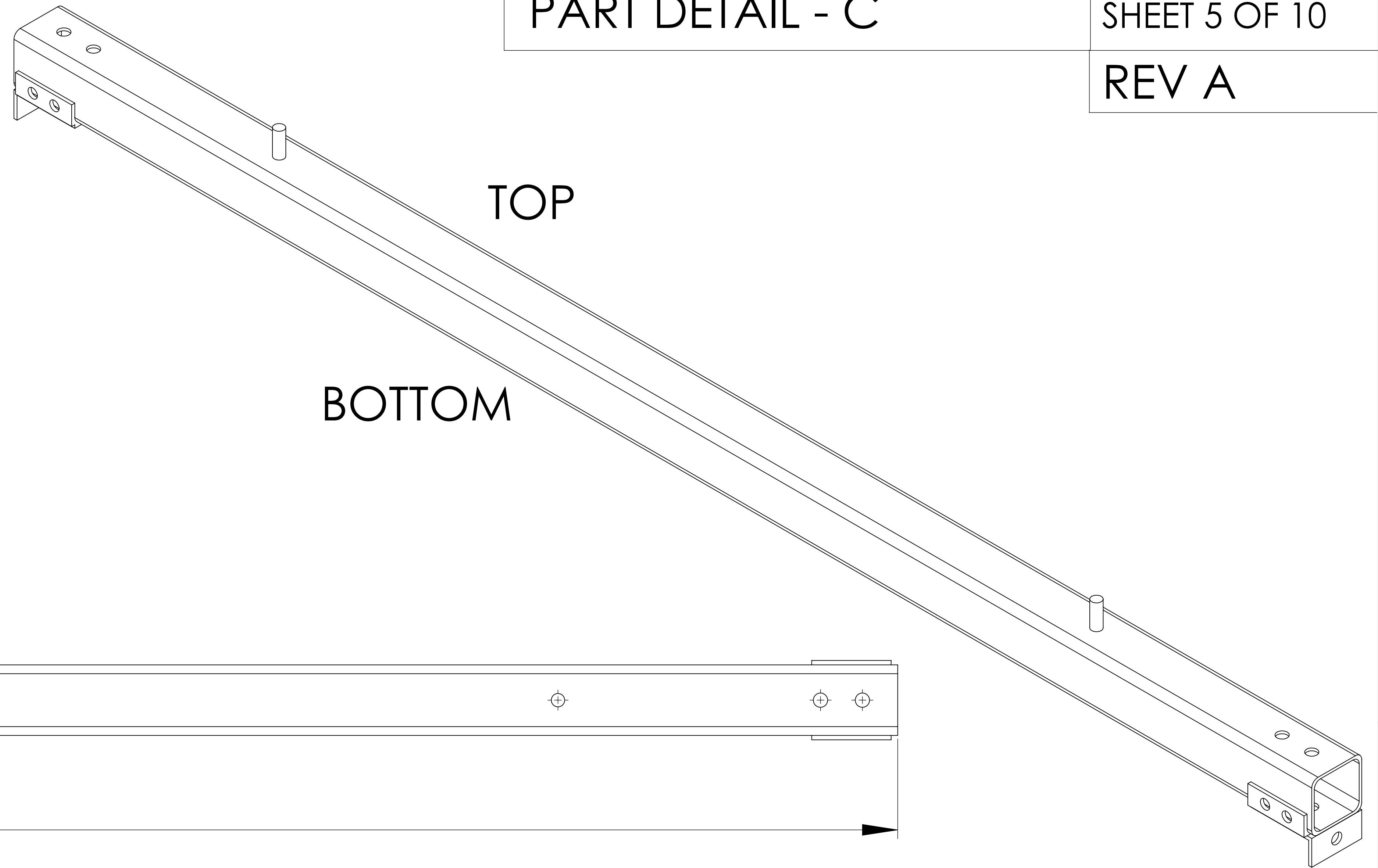
DATE: 7/11/2018

6 DECK VERTICAL CART ASSEMBLY INSTRUCTIONS

STAGING DIMENSIONS, INC.  
31 BLEVINS DRIVE  
NEW CASTLE, DE 19720  
WWW.STAGINGDIMENSIONS.COM

(302) 328-4100  
-PHONE-

(302) 328-1034  
-FAX-

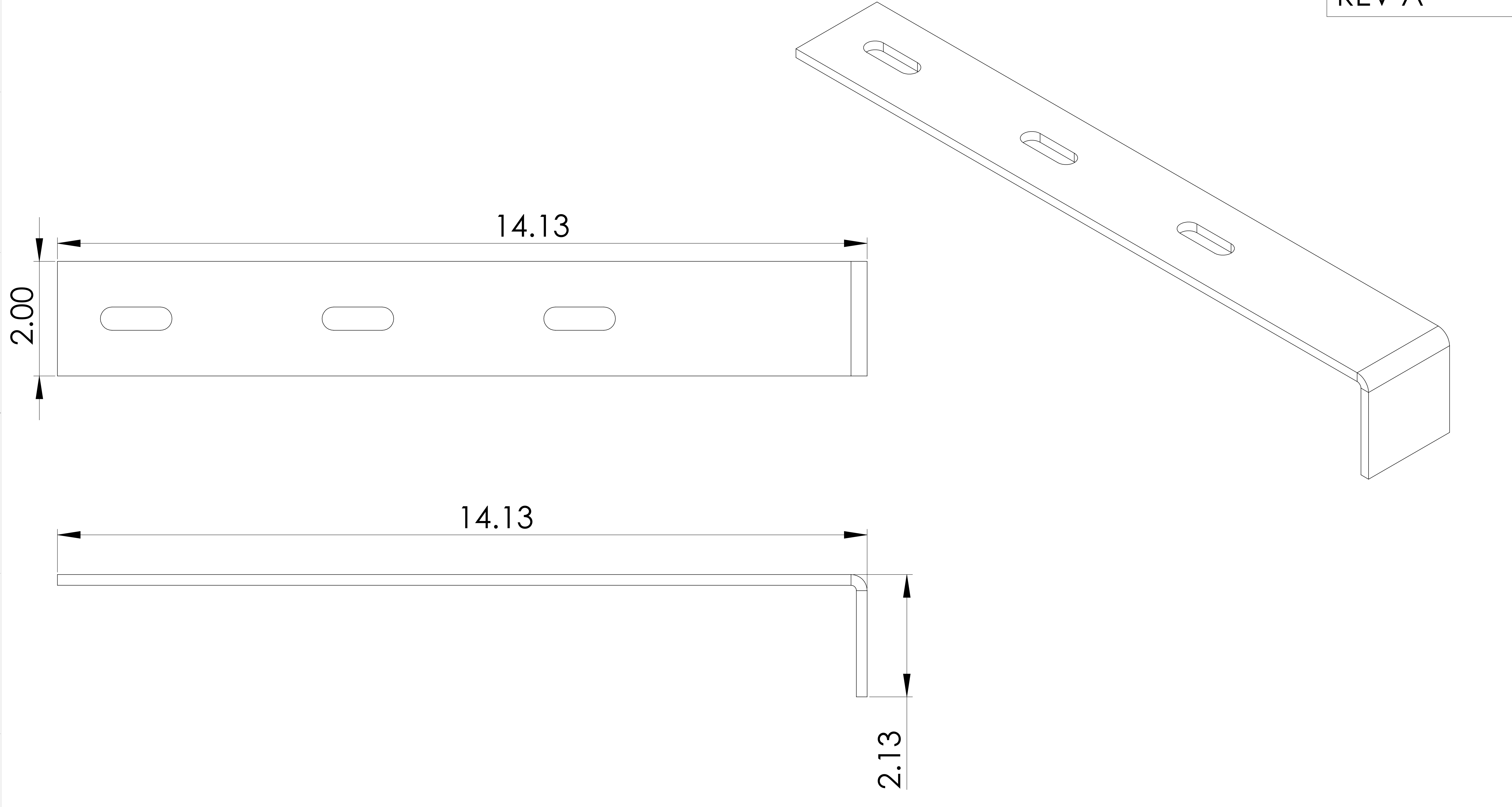


THE INFORMATION CONTAINED IN THIS DRAWING IS THE SOLE PROPERTY OF STAGING DIMENSIONS INC. ANY REPRODUCTION IN PART OR AS A WHOLE WITHOUT THE WRITTEN PERMISSION OF AN OFFICER OF STAGING DIMENSIONS IS PROHIBITED.

SCALE: 1:2  
O/N:  
DWN BY: JB  
DATE: 7/11/2018

6 DECK VERTICAL CART ASSEMBLY INSTRUCTIONS

STAGING DIMENSIONS, INC.  
31 BLEVINS DRIVE  
NEW CASTLE, DE 19720  
WWW.STAGINGDIMENSIONS.COM  
(302) 328-4100  
-PHONE-  
(302) 328-1034  
-FAX-



THE INFORMATION CONTAINED IN THIS DRAWING IS THE SOLE PROPERTY OF STAGING DIMENSIONS INC. ANY REPRODUCTION IN PART OR AS A WHOLE WITHOUT THE WRITTEN PERMISSION OF AN OFFICER OF STAGING DIMENSIONS IS PROHIBITED.

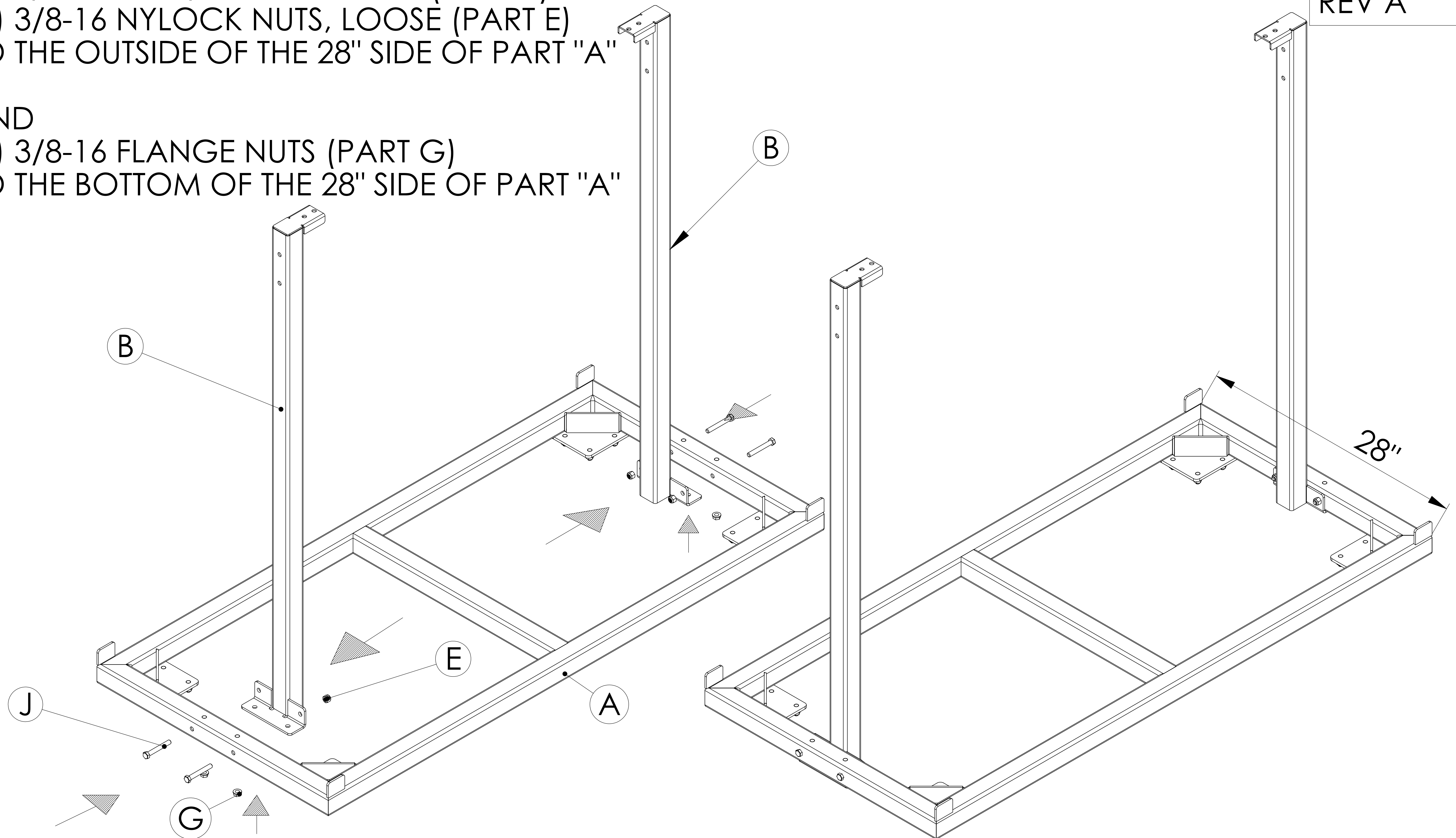
SCALE: 5:4 O/N:  
DWN BY: JB DATE: 7/11/2018

6 DECK VERTICAL CART ASSEMBLY INSTRUCTIONS

STAGING DIMENSIONS, INC.  
31 BLEVINS DRIVE  
NEW CASTLE, DE 19720  
WWW.STAGINGDIMENSIONS.COM  
(302) 328-4100 -PHONE-  
(302) 328-1034 -FAX-

**STEP 1: MOUNT BOTH PART "B" PIECES TO PART "A" USING**  
 (4) 3/8-16 X 2-3/4" LONG HHCS (PART J)  
 (4) 3/8-16 NYLOCK NUTS, LOOSE (PART E)  
 TO THE OUTSIDE OF THE 28" SIDE OF PART "A"

**AND**  
 (4) 3/8-16 FLANGE NUTS (PART G)  
 TO THE BOTTOM OF THE 28" SIDE OF PART "A"



THE INFORMATION CONTAINED IN THIS DRAWING IS THE SOLE PROPERTY OF STAGING DIMENSIONS INC. ANY REPRODUCTION IN PART OR AS A WHOLE WITHOUT THE WRITTEN PERMISSION OF AN OFFICER OF STAGING DIMENSIONS IS PROHIBITED.

SCALE: 1:4

O/N:

DWN BY: JB

DATE: 7/11/2018

6 DECK VERTICAL CART ASSEMBLY INSTRUCTIONS

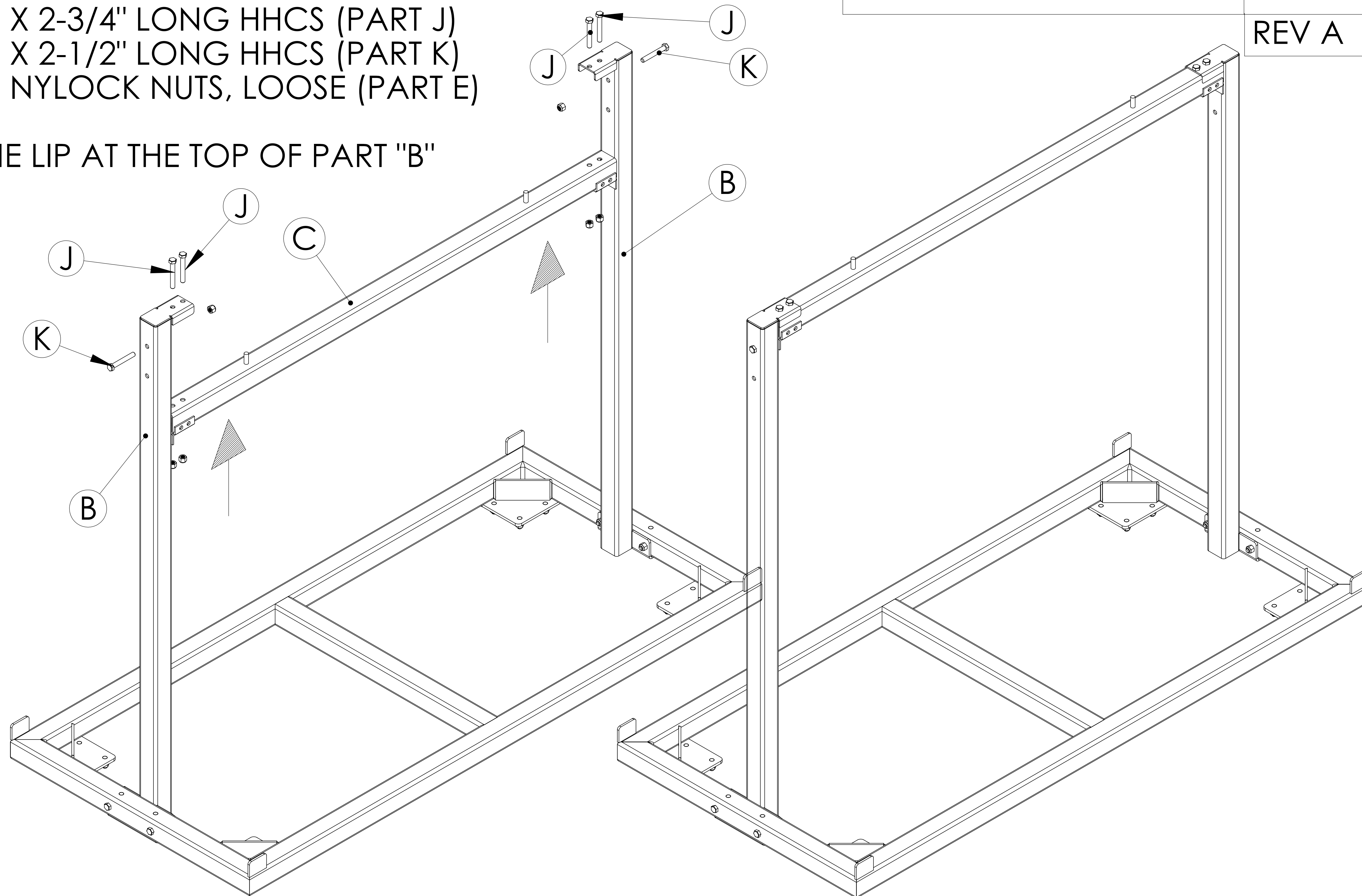
STAGING DIMENSIONS, INC.  
 31 BLEVINS DRIVE  
 NEW CASTLE, DE 19720  
 WWW.STAGINGDIMENSIONS.COM

(302) 328-4100  
 -PHONE-

(302) 328-1034  
 -FAX-

**STEP 2:** MOUNT PART "C" TO BOTH PART "B" PIECES WITH  
 (4) 3/8-16 X 2-3/4" LONG HHCS (PART J)  
 (2) 3/8-16 X 2-1/2" LONG HHCS (PART K)  
 (6) 3/8-16 NYLOCK NUTS, LOOSE (PART E)

UNDER THE LIP AT THE TOP OF PART "B"



THE INFORMATION CONTAINED IN THIS DRAWING IS THE SOLE PROPERTY OF STAGING DIMENSIONS INC. ANY REPRODUCTION IN PART OR AS A WHOLE WITHOUT THE WRITTEN PERMISSION OF AN OFFICER OF STAGING DIMENSIONS IS PROHIBITED.

SCALE: 1:4

O/N:

DWN BY: JB

DATE: 7/11/2018

6 DECK VERTICAL CART ASSEMBLY INSTRUCTIONS

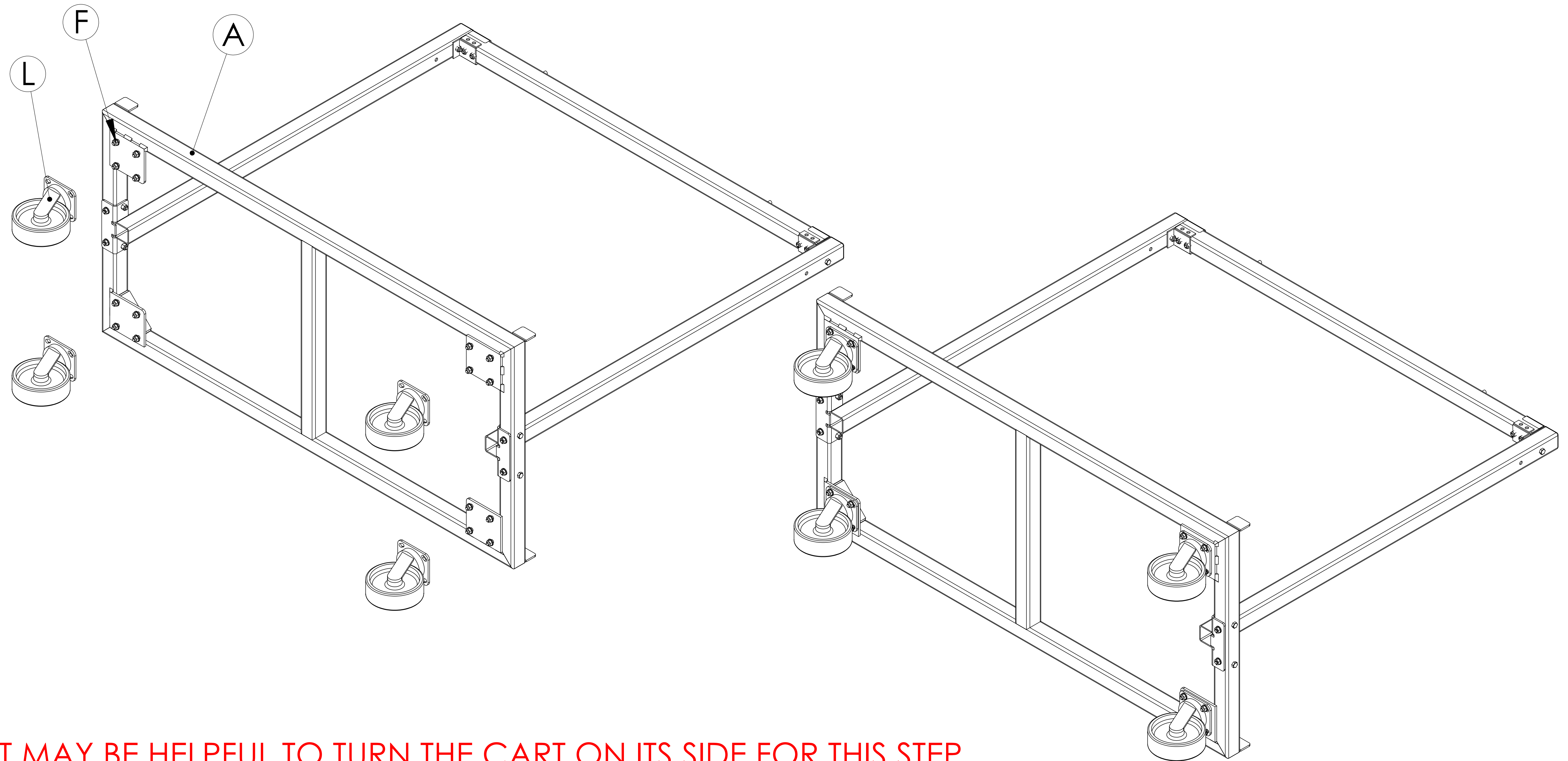
STAGING DIMENSIONS, INC.  
 31 BLEVINS DRIVE  
 NEW CASTLE, DE 19720  
 WWW.STAGINGDIMENSIONS.COM

(302) 328-4100  
 -PHONE-

(302) 328-1034  
 -FAX-



**STEP 3: MOUNT PART " L" TO THE PLATES ON THE BOTTOM OF PART "A" USING (16) 3/8-16 NYLOCK NUTS, INSTALLED**



**IT MAY BE HELPFUL TO TURN THE CART ON ITS SIDE FOR THIS STEP**

THE INFORMATION CONTAINED IN THIS DRAWING IS THE SOLE PROPERTY OF STAGING DIMENSIONS INC. ANY REPRODUCTION IN PART OR AS A WHOLE WITHOUT THE WRITTEN PERMISSION OF AN OFFICER OF STAGING DIMENSIONS IS PROHIBITED.

SCALE: 1:5

O/N:

DWN BY: JB

DATE: 7/11/2018

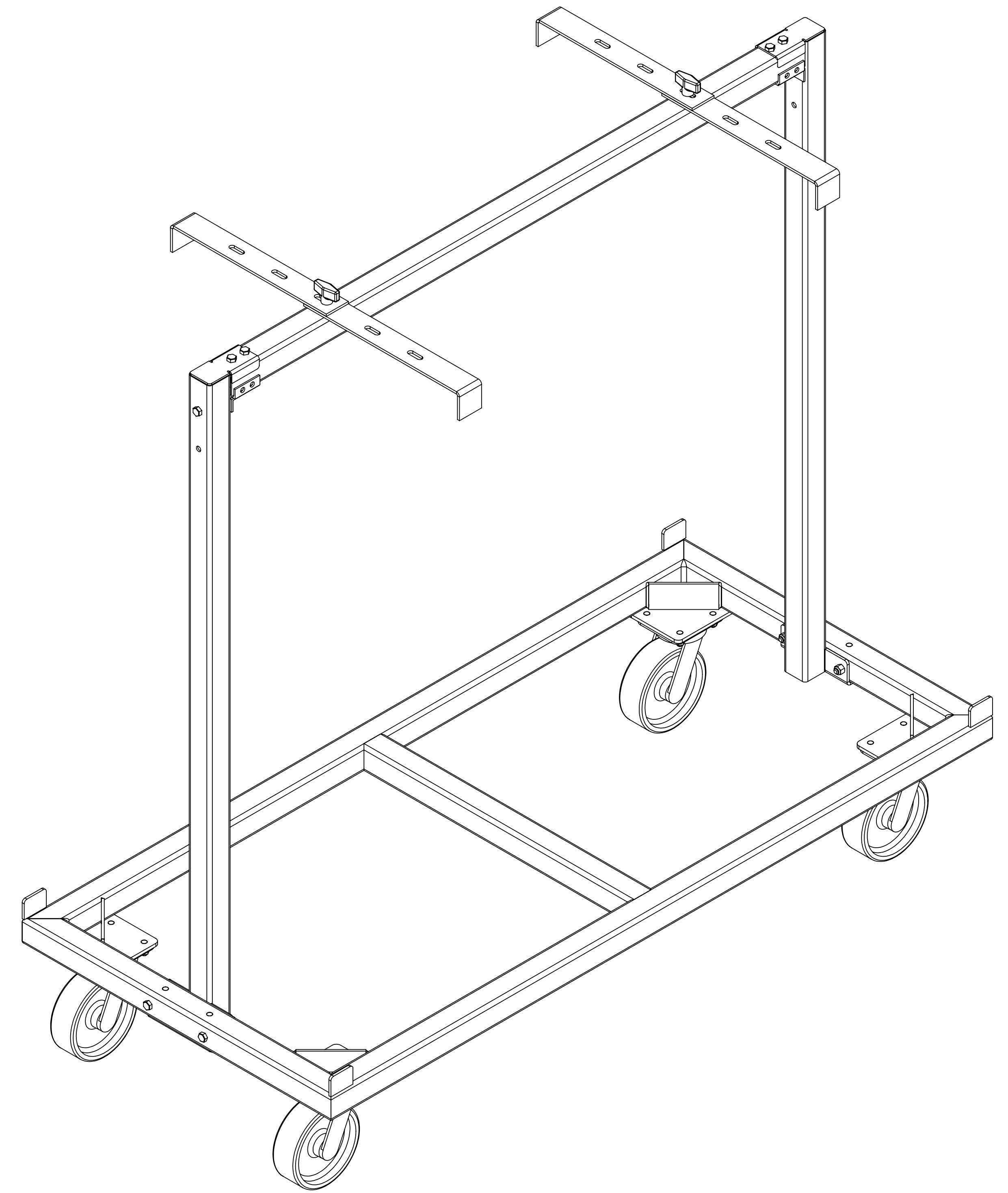
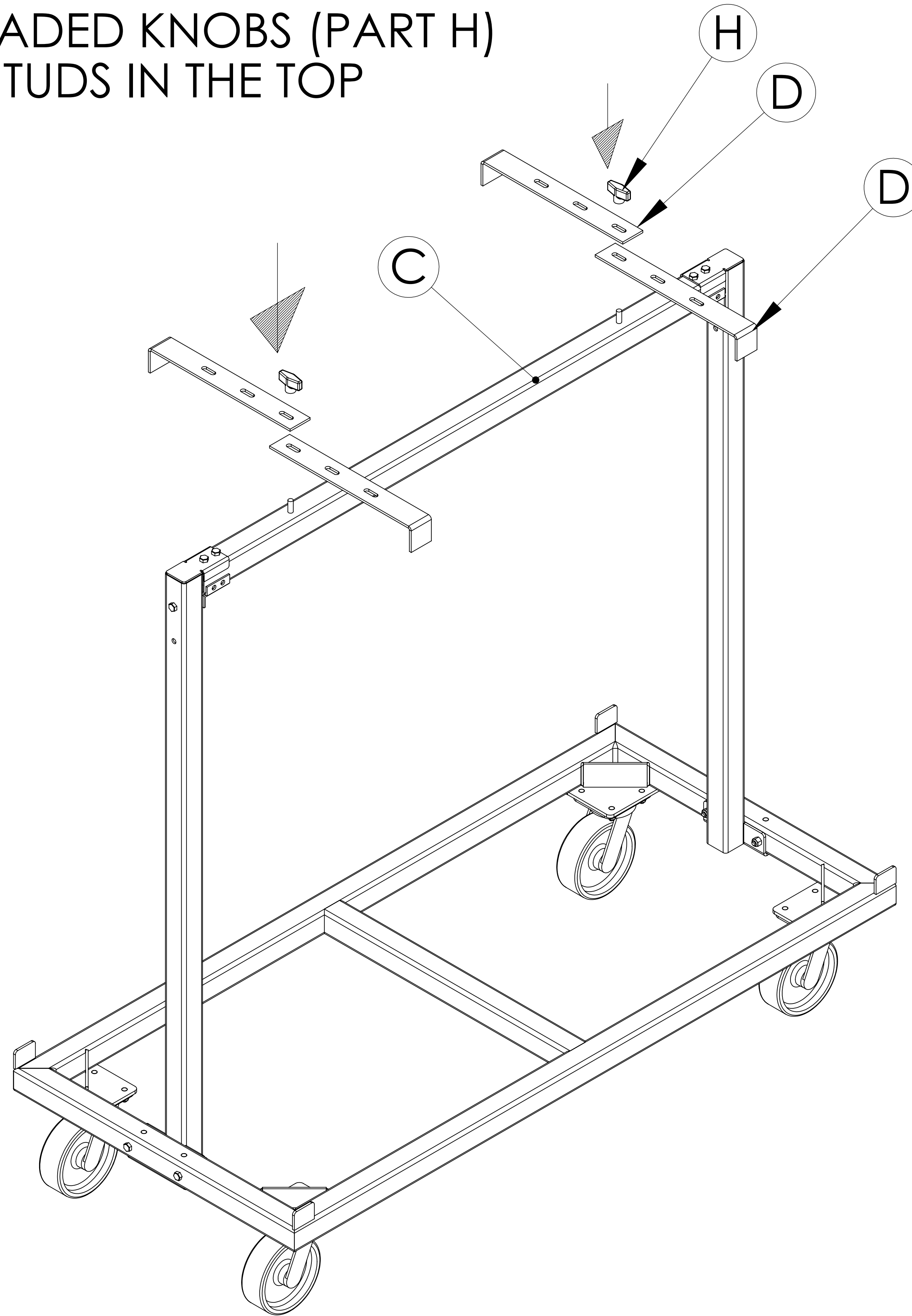
6 DECK VERTICAL CART ASSEMBLY INSTRUCTIONS

STAGING DIMENSIONS, INC.  
31 BLEVINS DRIVE  
NEW CASTLE, DE 19720  
WWW.STAGINGDIMENSIONS.COM

(302) 328-4100  
-PHONE-

(302) 328-1034  
-FAX-

**STEP 4:** MOUNT PART "D" TO PART "C" USING  
 (2) 3/8-16 X 3" THREADED KNOBS (PART H)  
 TO THE THREADED STUDS IN THE TOP



THE INFORMATION CONTAINED IN THIS DRAWING IS THE SOLE PROPERTY OF STAGING DIMENSIONS INC. ANY REPRODUCTION IN PART OR AS A WHOLE WITHOUT THE WRITTEN PERMISSION OF AN OFFICER OF STAGING DIMENSIONS IS PROHIBITED.

SCALE: 1:5

O/N:

DWN BY: JB

DATE: 7/11/2018

6 DECK VERTICAL CART ASSEMBLY INSTRUCTIONS

STAGING DIMENSIONS, INC.  
 31 BLEVINS DRIVE  
 NEW CASTLE, DE 19720  
 WWW.STAGINGDIMENSIONS.COM

(302) 328-4100  
 -PHONE-

(302) 328-1034  
 -FAX-