

TABLE OF CONTENTS	
PAGE NUMBER	DESCRIPTION
2	PARTS LIST AND LAYOUT
3-5	PARTS A-D DETAIL DRAWINGS
6-8	STEP BY STEP ASSEMBLY INSTRUCTIONS

THE INFORMATION CONTAINED IN THIS DRAWING IS THE SOLE PROPERTY OF STAGING DIMENSIONS INC. ANY REPRODUCTION IN PART OR AS A WHOLE WITHOUT THE WRITTEN PERMISSION OF AN OFFICER OF STAGING DIMENSIONS IS PROHIBITED.

SCALE: 1:4.5 O/N:

DWN BY: JB DATE: 7/11/2018

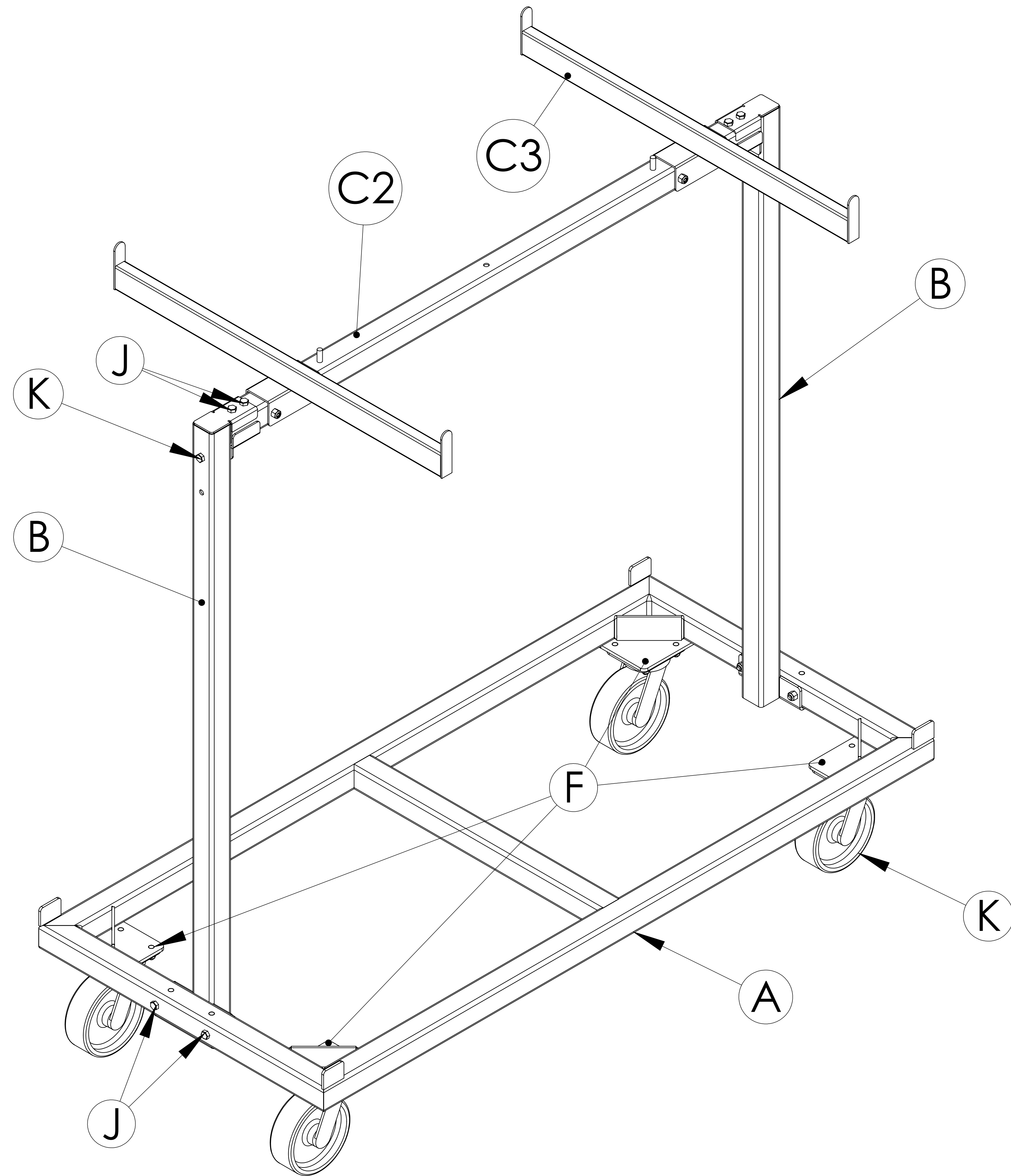
ASSEMBLY INSTRUCTIONS

6 DECK VERTICAL CART

WUNDERSTRUCTURE ARM KIT



STAGING DIMENSIONS
 31 Blevins Drive ~ Suite A ~ New Castle, DE 19720
 (866) 591-3471 ~ (302) 328-4100 PH ~ (302) 328-1034 FX
 sales@stagingdimensions.com ~ www.stagingdimensions.com



PART #	DESCRIPTION	QTY
A	6 DECK VERTICAL CART BASE	1
B	VERTICAL CART UPRIGHT	2
C	VERTICAL CART CROSSBAR (NOT PICTURED)	0
C2	VERTICAL CART CROSSBAR, W.S.	1
C3	W.S. ARM KIT	2
D	VERTICAL CART CLAW	4
E	3/8-16 NYLOCK NUTS, LOOSE	16
F	3/8-16 NYLOCK NUTS, INSTALLED	16
G	3/8-16 FLANGE NUTS, LOOSE	4
H	3/8-16 THREADED KNOB	2
J	3/8-16 X 2-3/4" LONG HHCS	12
K	3/8-16 X 3" LONG HHCS	2
L	SD 6" SWIVEL CASTERS	4

THE INFORMATION CONTAINED IN THIS DRAWING IS THE SOLE PROPERTY OF STAGING DIMENSIONS INC. ANY REPRODUCTION IN PART OR AS A WHOLE WITHOUT THE WRITTEN PERMISSION OF AN OFFICER OF STAGING DIMENSIONS IS PROHIBITED.

SCALE: 1:4.5 O/N:

DWN BY: JB DATE: 7/11/2018

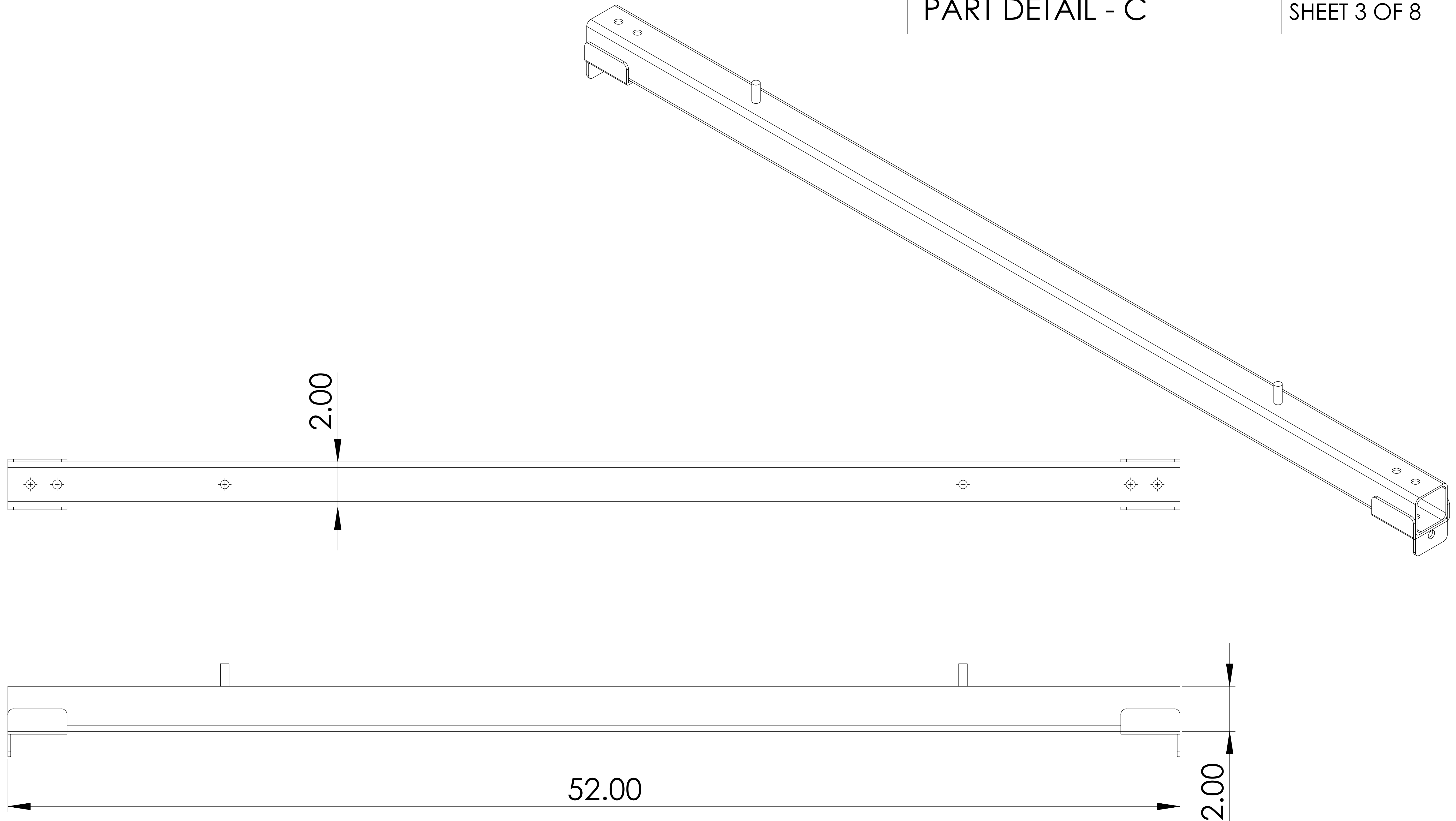
ASSEMBLY INSTRUCTIONS

6 DECK VERTICAL CART

WUNDERSTRUCTURE ARM KIT



STAGING DIMENSIONS
 31 Blevins Drive ~ Suite A ~ New Castle, DE 19720
 (866) 591-3471 ~ (302) 328-4100 PH ~ (302) 328-1034 FX
 sales@stagingdimensions.com ~ www.stagingdimensions.com



THE INFORMATION CONTAINED IN THIS DRAWING IS THE SOLE PROPERTY OF STAGING DIMENSIONS INC. ANY REPRODUCTION IN PART OR AS A WHOLE WITHOUT THE WRITTEN PERMISSION OF AN OFFICER OF STAGING DIMENSIONS IS PROHIBITED.

SCALE: 1:2

O/N:

DWN BY: JB

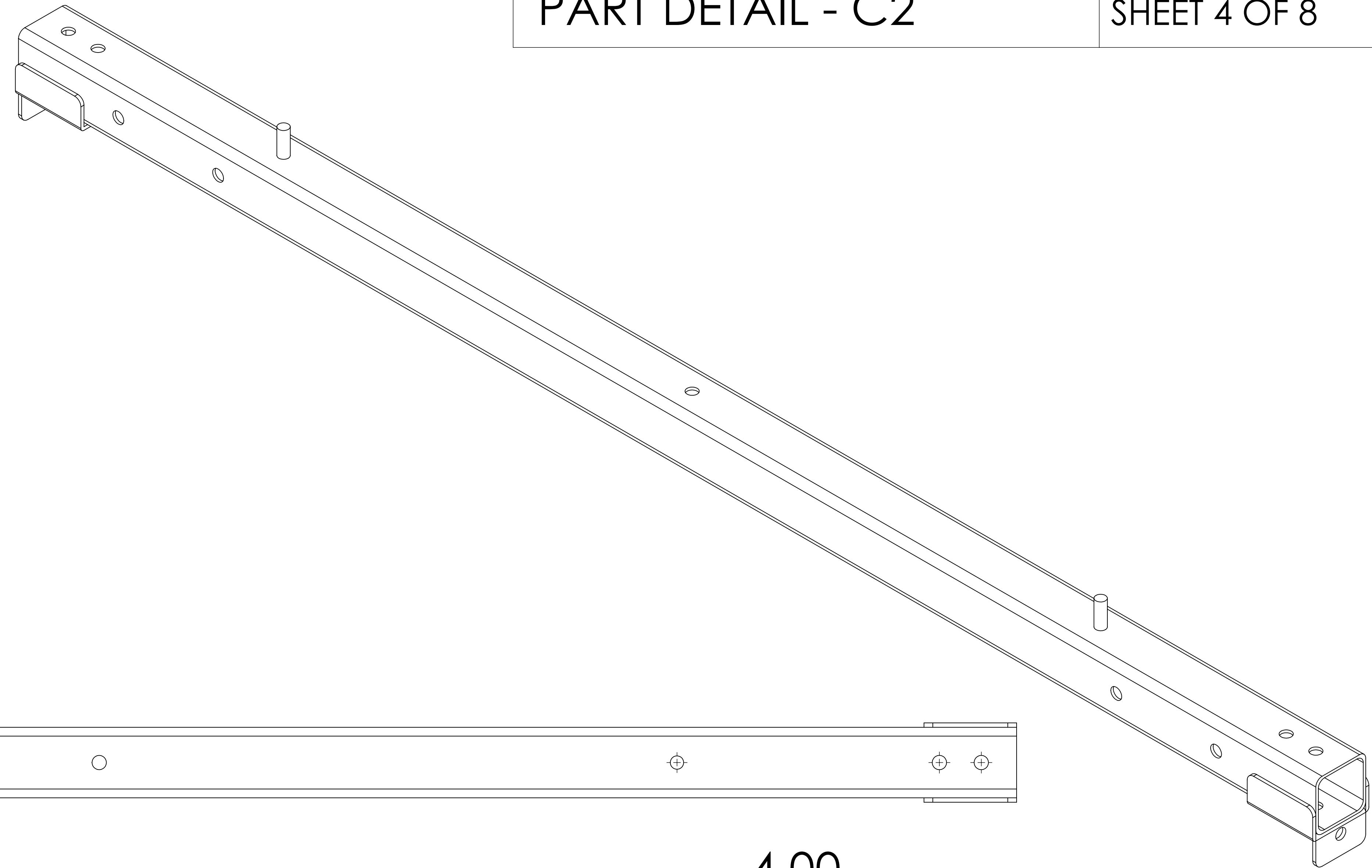
DATE: 7/11/2018

6 DECK VERTICAL CART ASSEMBLY INSTRUCTIONS
-WUNDERSTRUCTURE ARM KIT

STAGING DIMENSIONS, INC.
31 BLEVINS DRIVE
NEW CASTLE, DE 19720
WWW.STAGINGDIMENSIONS.COM

(302) 328-4100
-PHONE-

(302) 328-1034
-FAX-



THE INFORMATION CONTAINED IN THIS DRAWING IS THE SOLE PROPERTY OF STAGING DIMENSIONS INC. ANY REPRODUCTION IN PART OR AS A WHOLE WITHOUT THE WRITTEN PERMISSION OF AN OFFICER OF STAGING DIMENSIONS IS PROHIBITED.

SCALE: 1:2

O/N:

DWN BY: JB

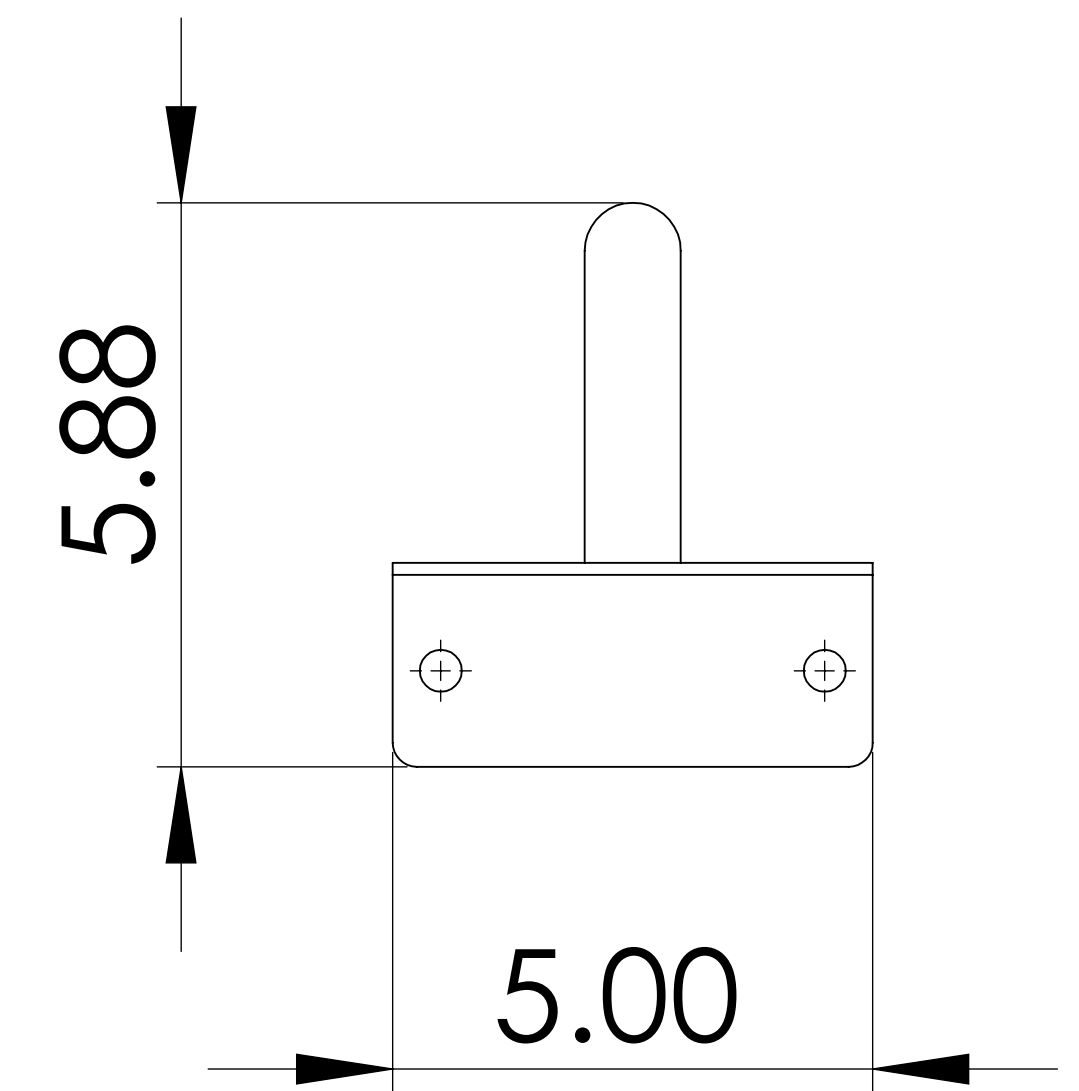
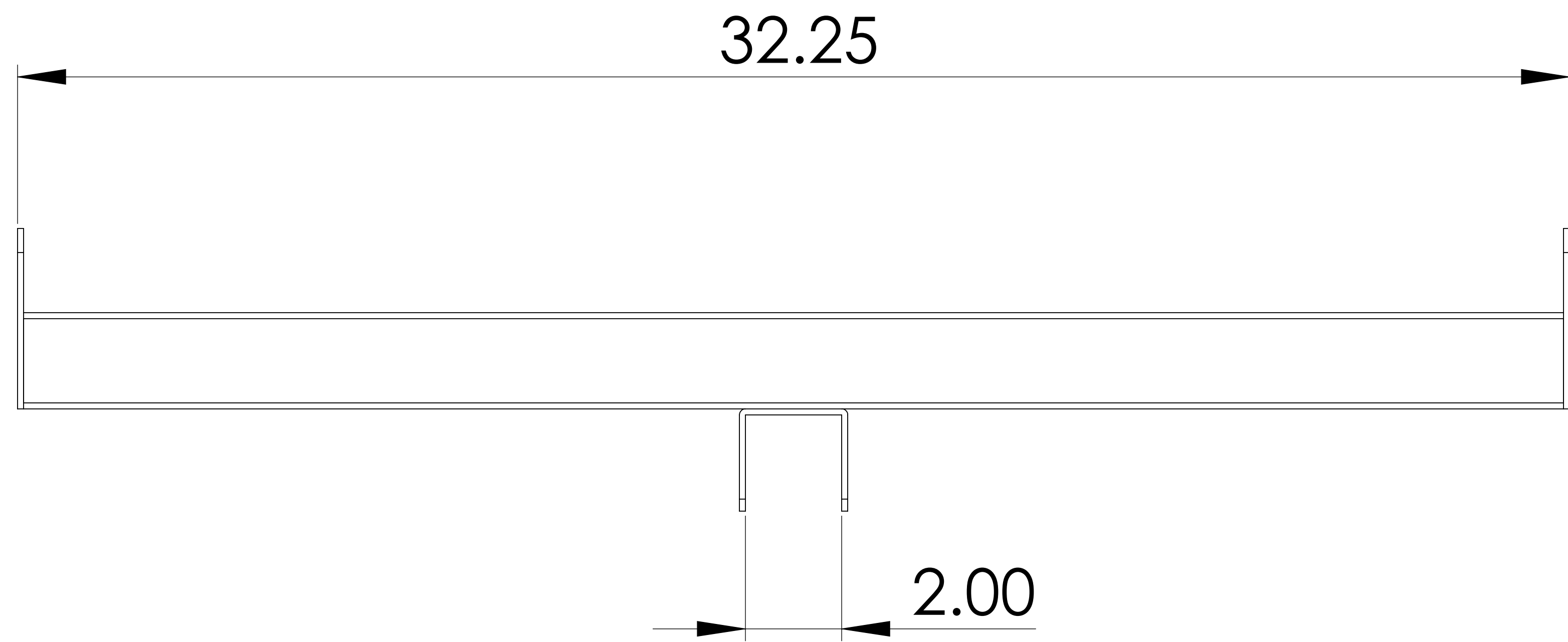
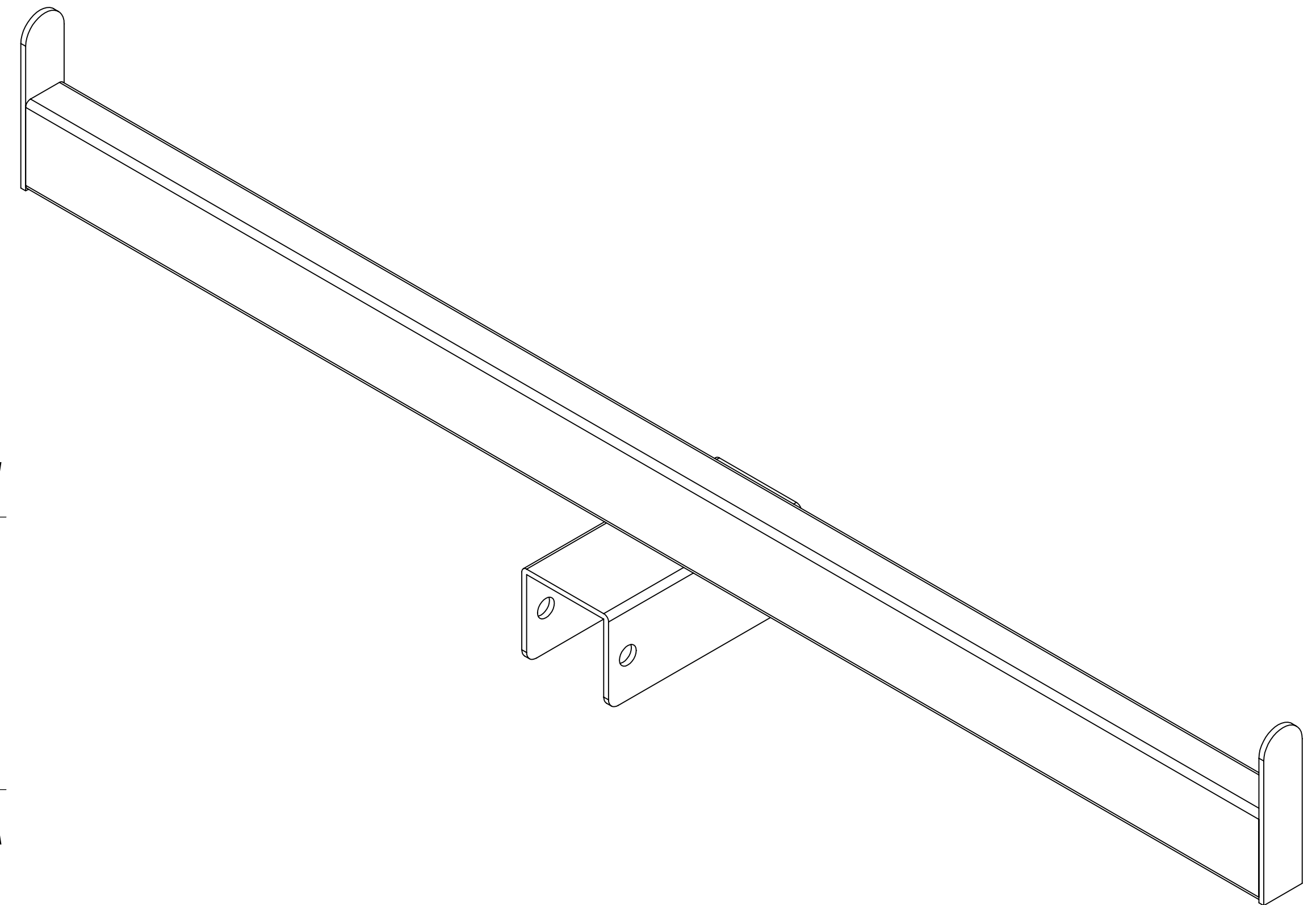
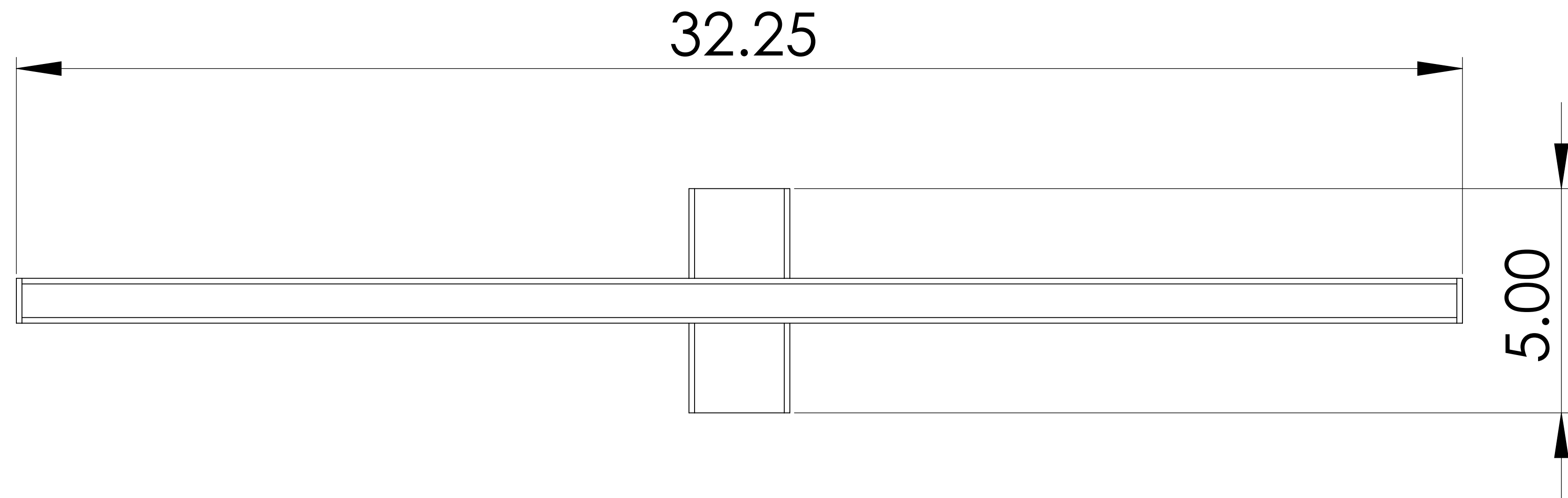
DATE: 7/11/2018

6 DECK VERTICAL CART ASSEMBLY INSTRUCTIONS
- WUNDERSTRUCTURE ARM KIT

STAGING DIMENSIONS, INC.
31 BLEVINS DRIVE
NEW CASTLE, DE 19720
WWW.STAGINGDIMENSIONS.COM

(302) 328-4100
-PHONE-

(302) 328-1034
-FAX-



THE INFORMATION CONTAINED IN THIS DRAWING IS THE SOLE PROPERTY OF STAGING DIMENSIONS INC. ANY REPRODUCTION IN PART OR AS A WHOLE WITHOUT THE WRITTEN PERMISSION OF AN OFFICER OF STAGING DIMENSIONS IS PROHIBITED.

SCALE: 1:2

O/N:

DWN BY: JB

DATE: 7/11/2018

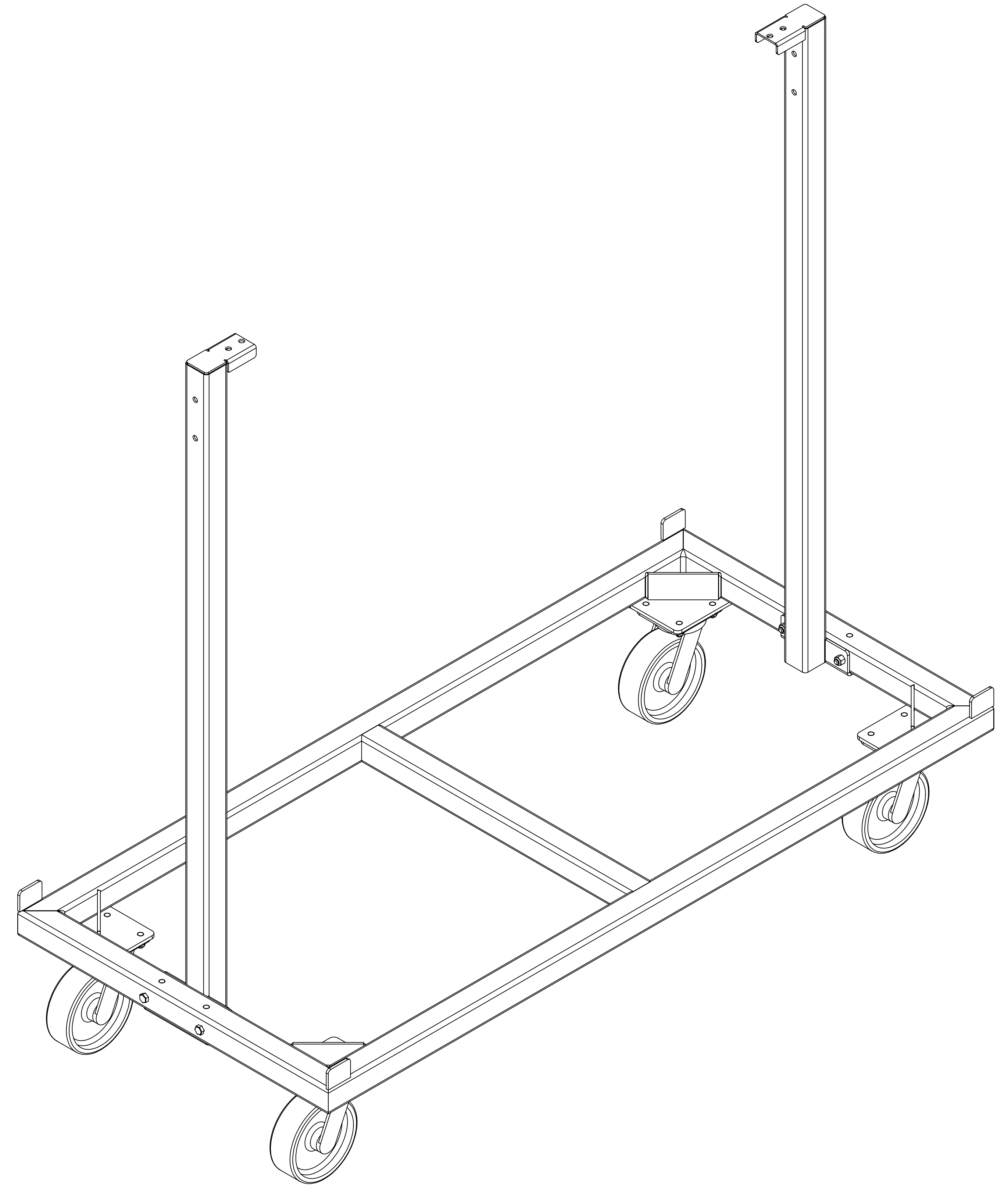
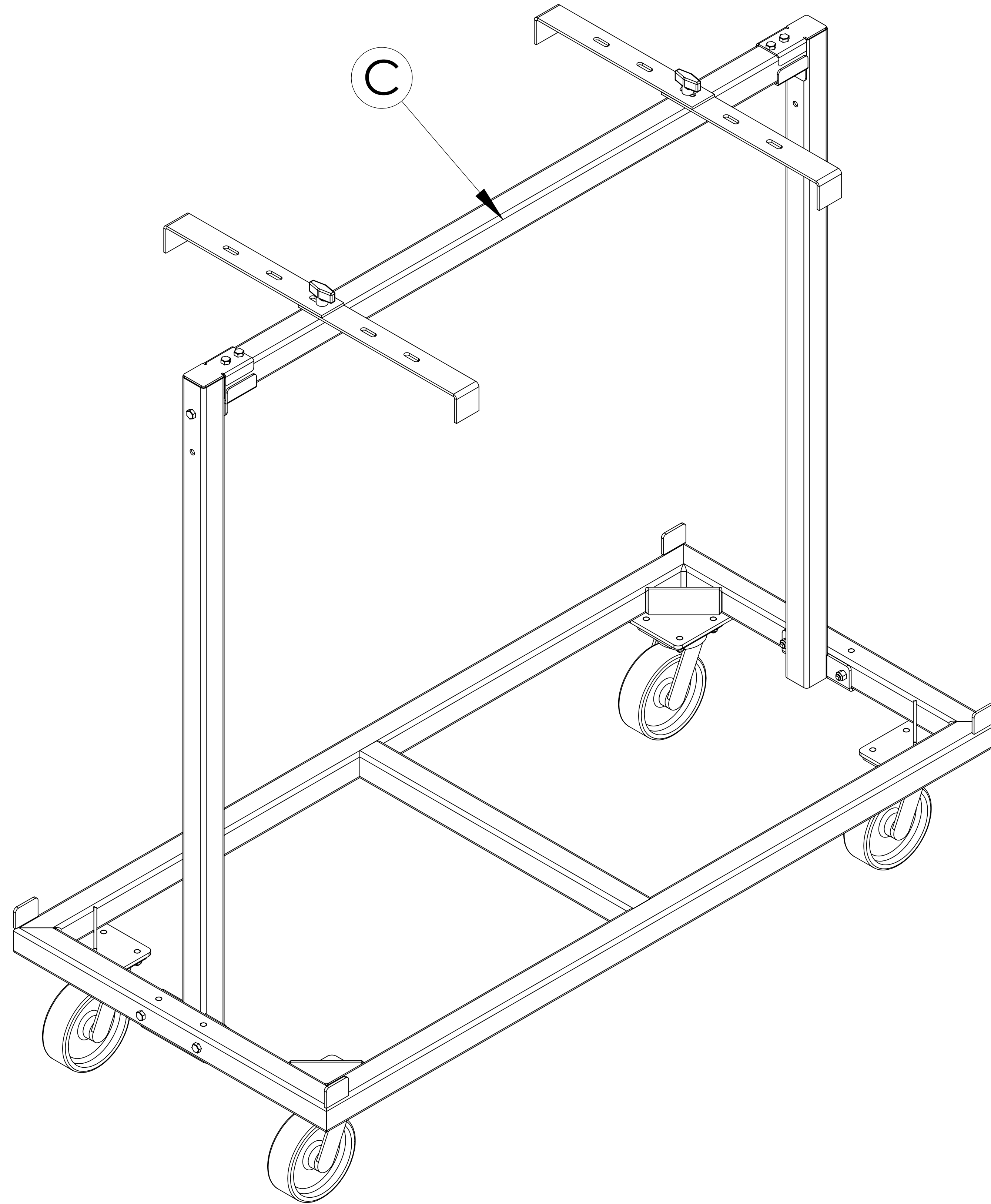
6 DECK VERTICAL CART ASSEMBLY INSTRUCTIONS
- WUNDERSTRUCTURE ARM KIT

STAGING DIMENSIONS, INC.
31 BLEVINS DRIVE
NEW CASTLE, DE 19720
WWW.STAGINGDIMENSIONS.COM

(302) 328-4100
-PHONE-

(302) 328-1034
-FAX-

STEP 1: REMOVE THE STANDARD CROSSBAR (PART C) AND KEEP ALL FASTENERS



THE INFORMATION CONTAINED IN THIS DRAWING IS THE SOLE PROPERTY OF STAGING DIMENSIONS INC. ANY REPRODUCTION IN PART OR AS A WHOLE WITHOUT THE WRITTEN PERMISSION OF AN OFFICER OF STAGING DIMENSIONS IS PROHIBITED.

SCALE: 1:4.5 O/N:

DWN BY: JB DATE: 7/11/2018

6 DECK VERTICAL CART ASSEMBLY INSTRUCTIONS
- WUNDERSTRUCTURE ARM KIT

STAGING DIMENSIONS, INC.
31 BLEVINS DRIVE
NEW CASTLE, DE 19720
WWW.STAGINGDIMENSIONS.COM

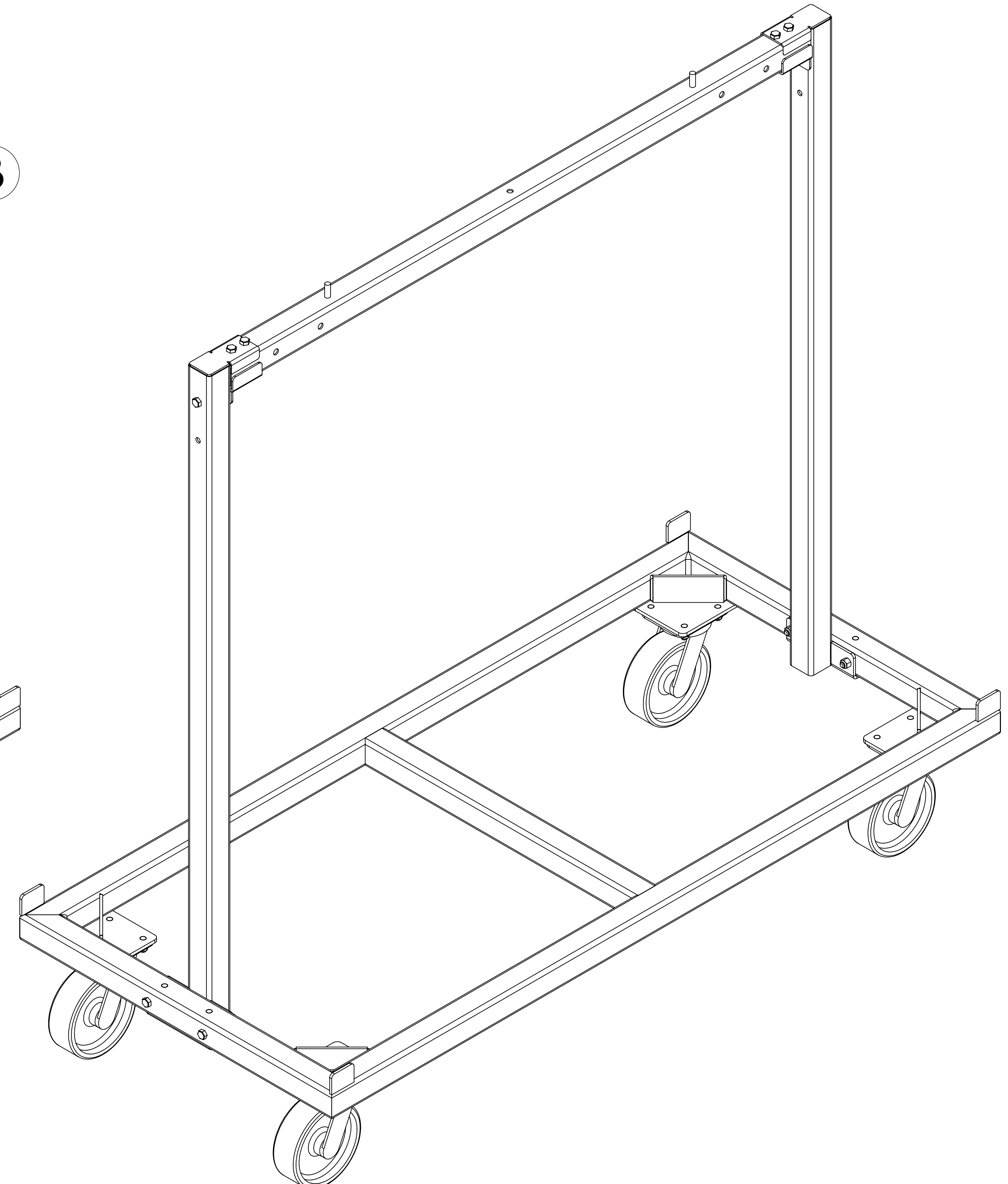
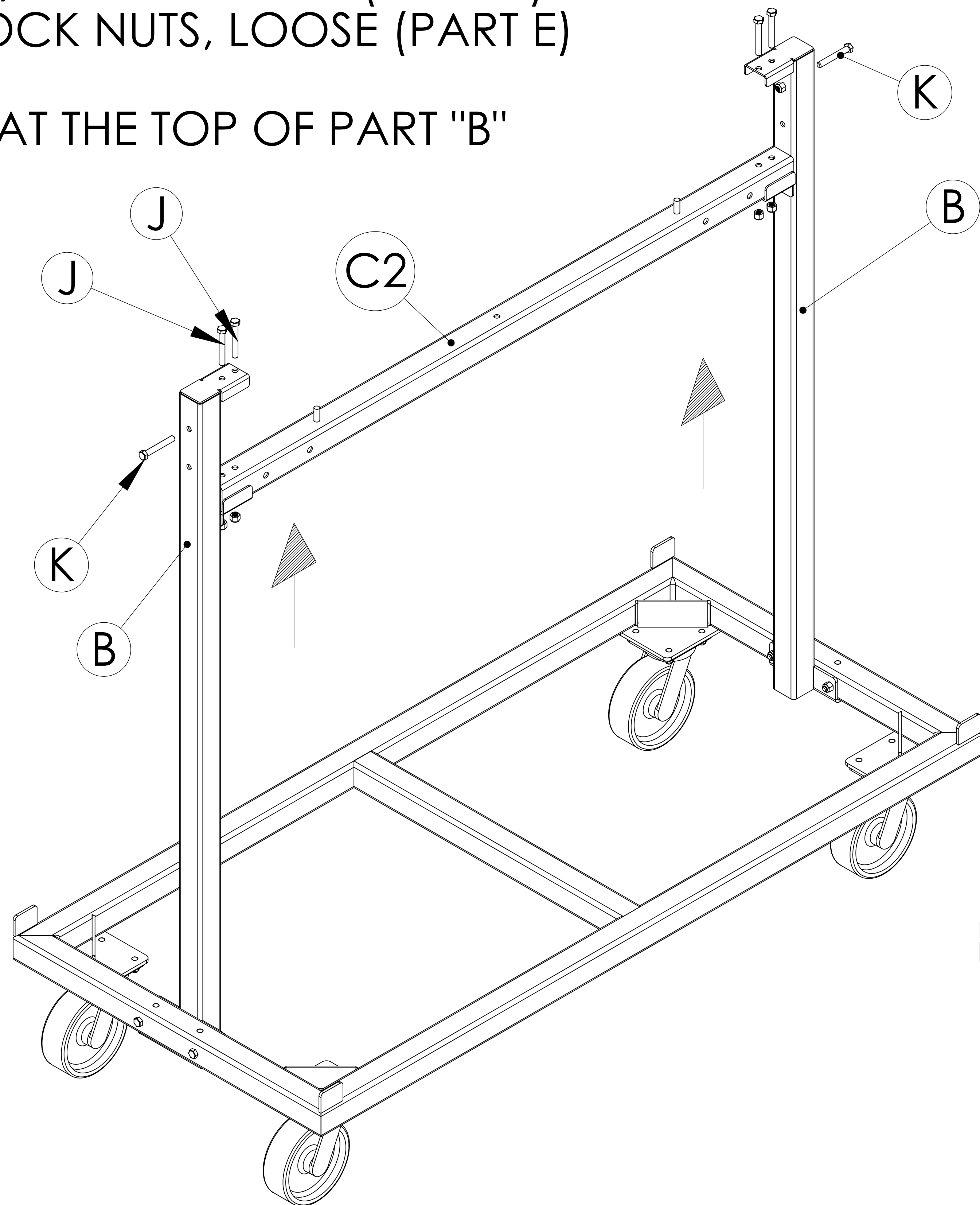
(302) 328-4100
-PHONE-

(302) 328-1034
-FAX-

STEP 2: MOUNT PART "C2" TO BOTH PART "B" PIECES WITH

- (4) 3/8-16 X 2-3/4" LONG HHCS (PART J)
- (2) 3/8-16 X 2-1/2" LONG HHCS (PART K)
- (6) 3/8-16 NYLOCK NUTS, LOOSE (PART E)

UNDER THE LIP AT THE TOP OF PART "B"



THE INFORMATION CONTAINED IN THIS DRAWING IS THE SOLE PROPERTY OF STAGING DIMENSIONS INC. ANY REPRODUCTION IN PART OR AS A WHOLE WITHOUT THE WRITTEN PERMISSION OF AN OFFICER OF STAGING DIMENSIONS IS PROHIBITED.

SCALE: 1:4.5 O/N:

DWN BY: JB DATE: 7/11/2018

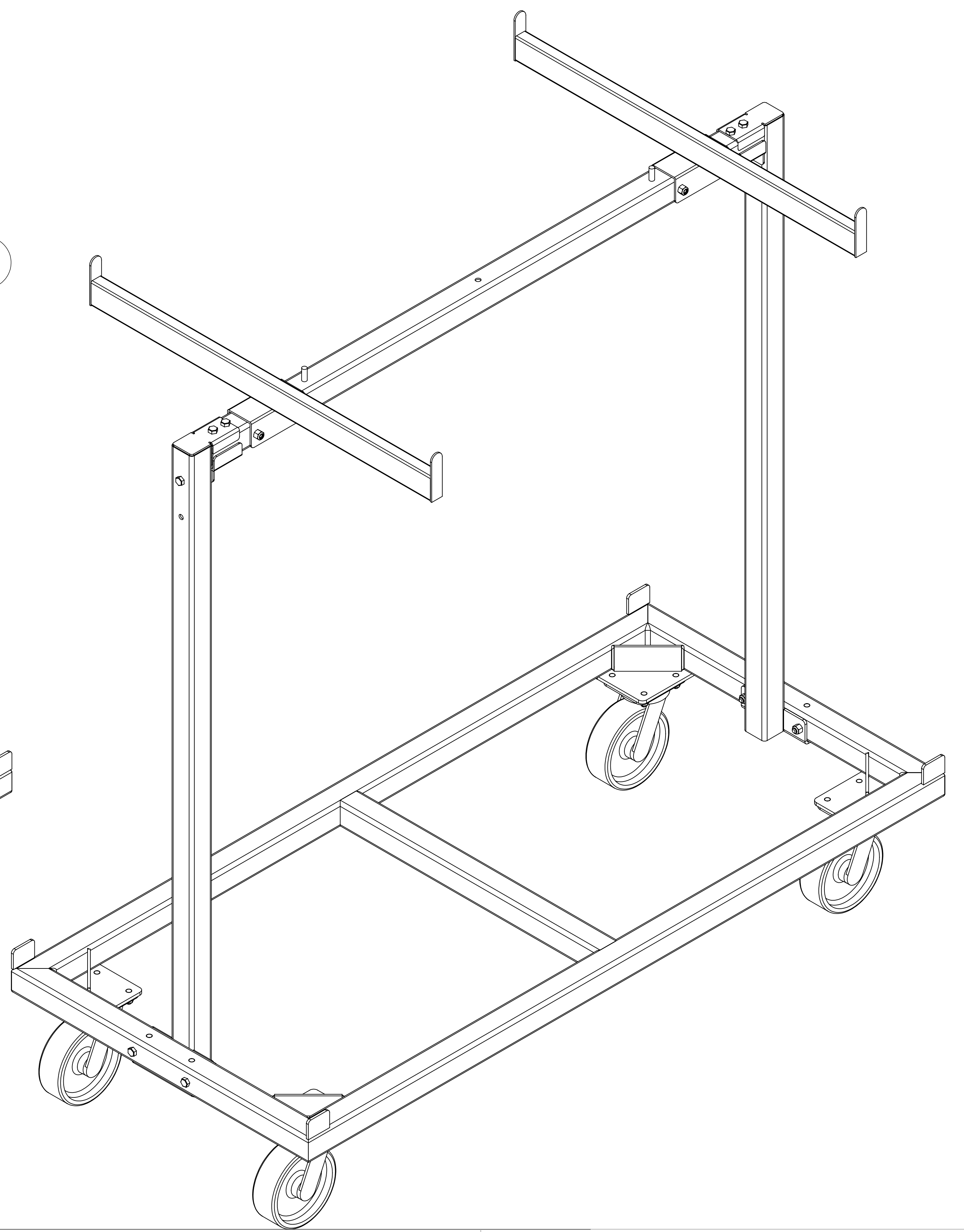
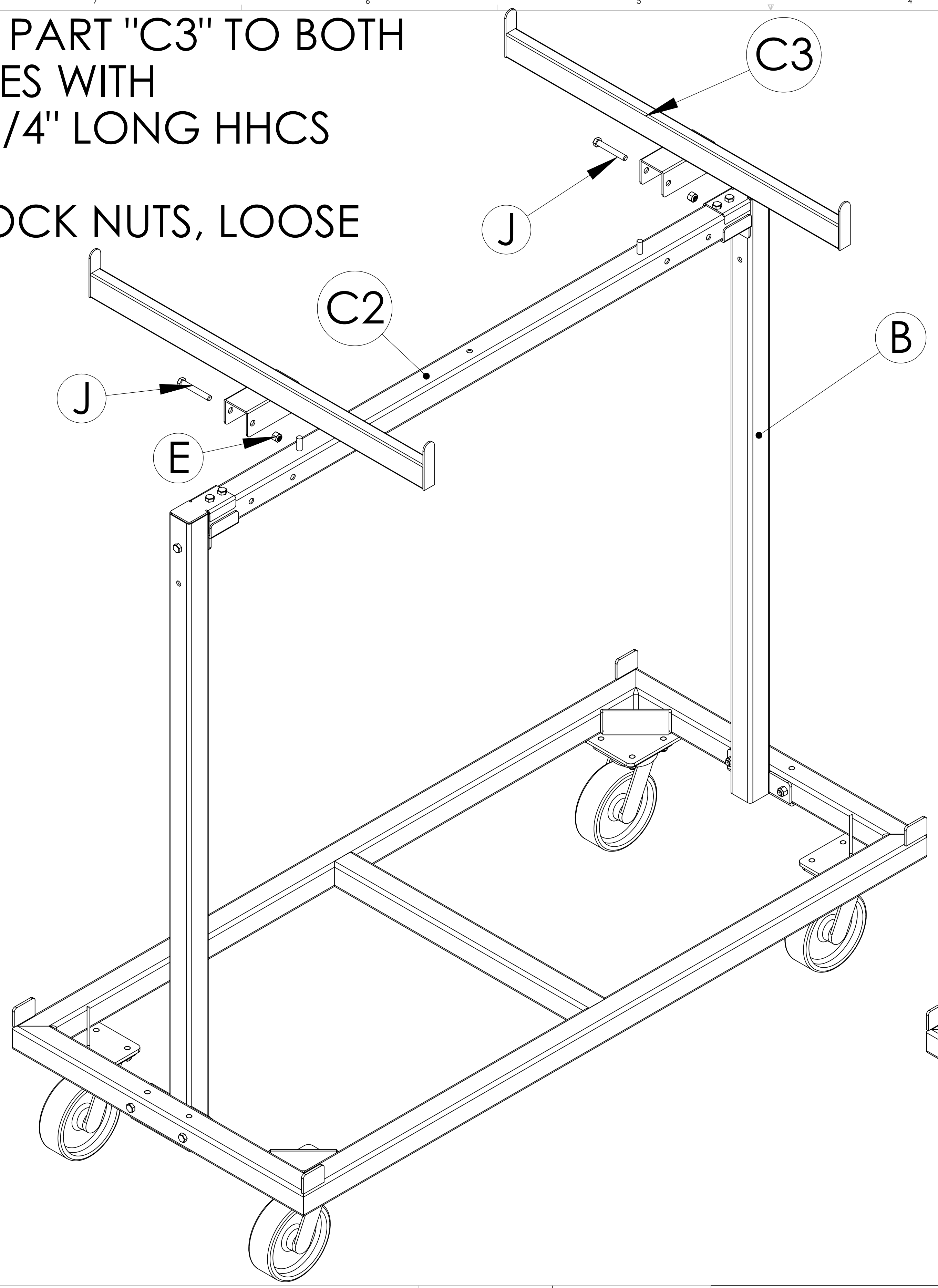
6 DECK VERTICAL CART ASSEMBLY INSTRUCTIONS
- WUNDERSTRUCTURE ARM KIT

STAGING DIMENSIONS, INC.
31 BLEVINS DRIVE
NEW CASTLE, DE 19720
WWW.STAGINGDIMENSIONS.COM

(302) 328-4100
-PHONE-

(302) 328-1034
-FAX-

STEP 2: MOUNT PART "C3" TO BOTH PART "C2" PIECES WITH
 (4) 3/8-16 X 2-3/4" LONG HHCS
 (PART J)
 (6) 3/8-16 NYLOCK NUTS, LOOSE
 (PART E)



THE INFORMATION CONTAINED IN THIS DRAWING IS THE SOLE PROPERTY OF STAGING DIMENSIONS INC. ANY REPRODUCTION IN PART OR AS A WHOLE WITHOUT THE WRITTEN PERMISSION OF AN OFFICER OF STAGING DIMENSIONS IS PROHIBITED.

SCALE: 1:4.5 O/N:
 DWN BY: JB DATE: 7/11/2018

6 DECK VERTICAL CART ASSEMBLY INSTRUCTIONS
 - WUNDERSTRUCTURE ARM KIT

STAGING DIMENSIONS, INC.
 31 BLEVINS DRIVE
 NEW CASTLE, DE 19720
 WWW.STAGINGDIMENSIONS.COM
 (302) 328-4100 -PHONE-
 (302) 328-1034 -FAX-