

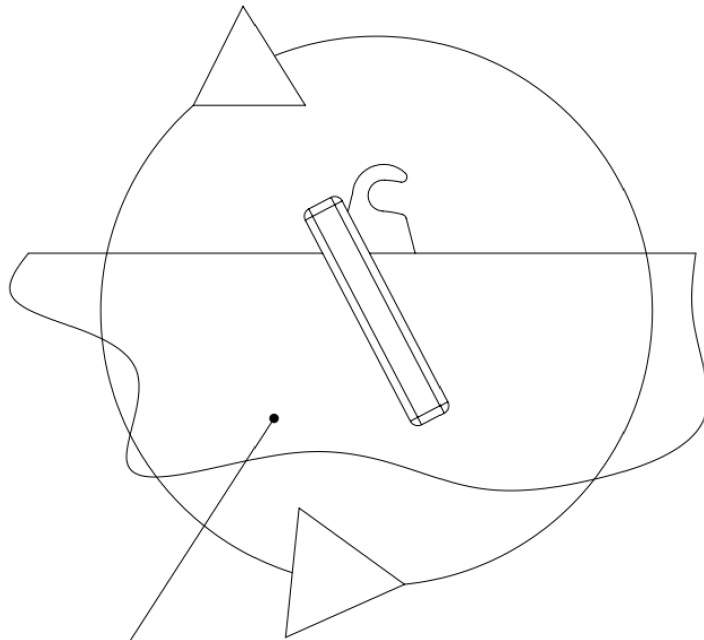
TYPICAL DECK CONNECTING METHOD

THE INFORMATION CONTAINED IN THIS DRAWING IS THE SOLE PROPERTY OF STAGING DIMENSIONS INC. ANY REPRODUCTION IN PART OR AS A WHOLE WITHOUT THE WRITTEN PERMISSION OF AN OFFICER OF STAGING DIMENSIONS IS PROHIBITED.

STAGING DIMENSIONS, INC. (302) 328-4100  
31 BLEVINS DRIVE -PHONE-  
NEW CASTLE, DE 19720  
WWW.STAGINGDIMENSIONS.COM (302) 328-1034  
-FAX-

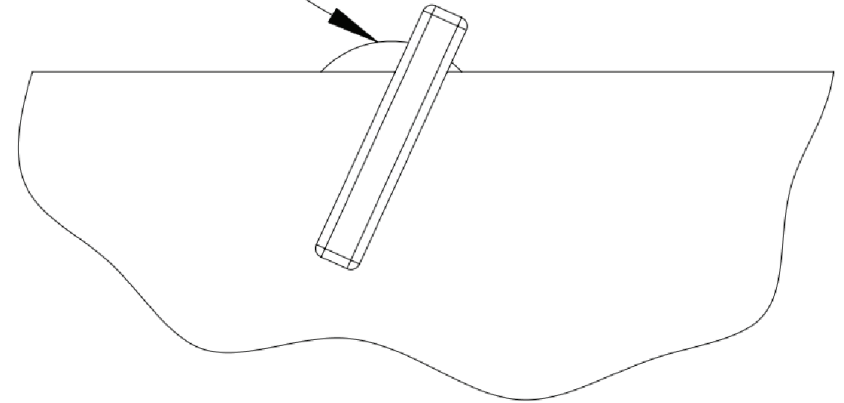
# DOES THE COFFIN LOCK CAM NEED TO BE RESET?

SHEET 2 OF 3



ROTATE COUNTER  
CLOCKWISE WITH  
T-HANDLE

RADIUS OF CAM  
PROTRUDING?



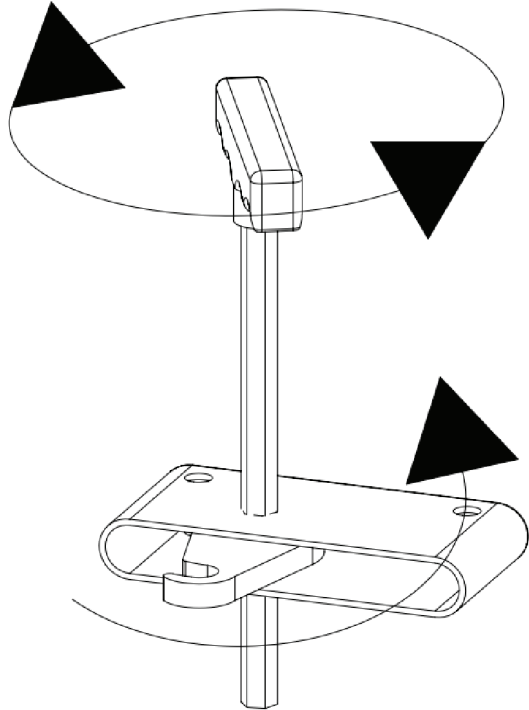
THE INFORMATION CONTAINED IN THIS DRAWING IS THE SOLE PROPERTY OF STAGING DIMENSIONS INC. ANY REPRODUCTION IN PART OR AS A WHOLE WITHOUT THE WRITTEN PERMISSION OF AN OFFICER OF STAGING DIMENSIONS IS PROHIBITED.

STAGING DIMENSIONS, INC.  
31 BLEVINS DRIVE  
NEW CASTLE, DE 19720  
WWW.STAGINGDIMENSIONS.COM

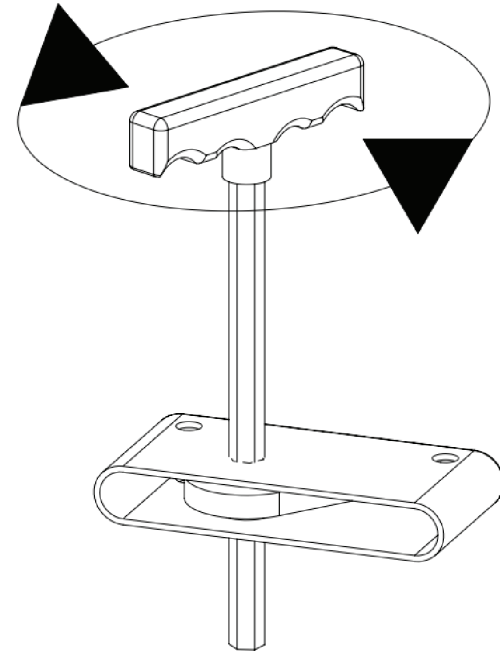
(302) 328-4100  
-PHONE-

(302) 328-1034  
-FAX-

# HOW TO RESET THE COFFIN LOCK CAM



ROTATE COUNTER-  
CLOCKWISE UNTIL CAM  
HITS BACK OF LOCK



CONTINUE ROTATING  
COUNTER-CLOCKWISE 1  
FULL ROTATION

THE INFORMATION CONTAINED IN THIS DRAWING IS THE SOLE PROPERTY OF STAGING DIMENSIONS INC. ANY REPRODUCTION IN PART OR AS A WHOLE WITHOUT THE WRITTEN PERMISSION OF AN OFFICER OF STAGING DIMENSIONS IS PROHIBITED.

STAGING DIMENSIONS, INC. (302) 328-4100  
31 BLEVINS DRIVE -PHONE-  
NEW CASTLE, DE 19720  
WWW.STAGINGDIMENSIONS.COM (302) 328-1034  
-FAX-