

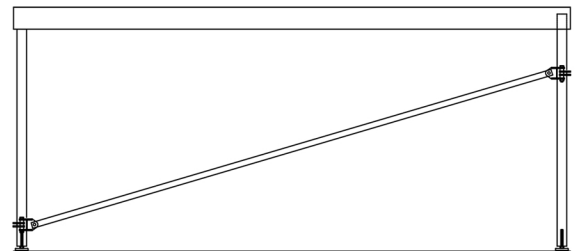
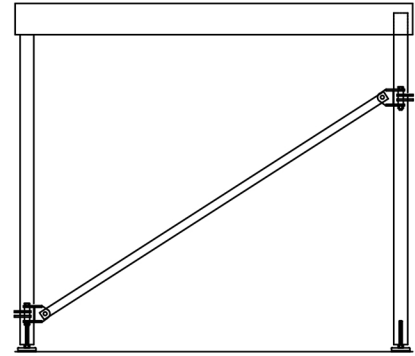
**Construction**

**FEATURES:**

- 1" x 1" Square Aluminum Tubing
- Laser Cut Carbon Steel
- Thermoplastic 3/8-16 Wingnut
- Standard Clamp Attaches to Fixed or Adjustable Legs
- Mill Finish Aluminum Tube
- Wunderstructure Clamps Available
- Used To Tie-Multi-Tier Risers Together
- Provides Additional Support On Stage Heights Over 36"
- Custom Designs Available

**SIZES / WEIGHTS**

- |  |        |
|--|--------|
| 4' Diagonal Leg Brace                              | 5 lbs. |
| 4' Adjustable Diagonal Leg Brace                   | 6 lbs. |
| 4' Diagonal Brace for Wunderstructure to Fixed Leg | 6 lbs. |
| 8' Diagonal Leg Brace                              | 7 lbs. |
| 8' Adjustable Diagonal Leg Brace                   | 8 lbs. |
| 8' Diagonal Brace for Wunderstructure to Fixed Leg | 8 lbs. |



4' Diagonal Leg Brace



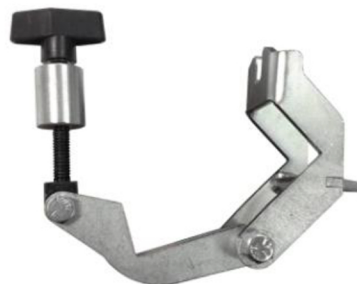
8' Diagonal Leg Brace



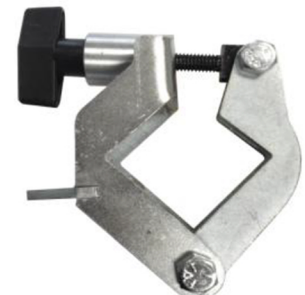
Adjustable Height Leg Attachment



Fixed Height Leg Attachment



Open Clamp



Closed Clamp