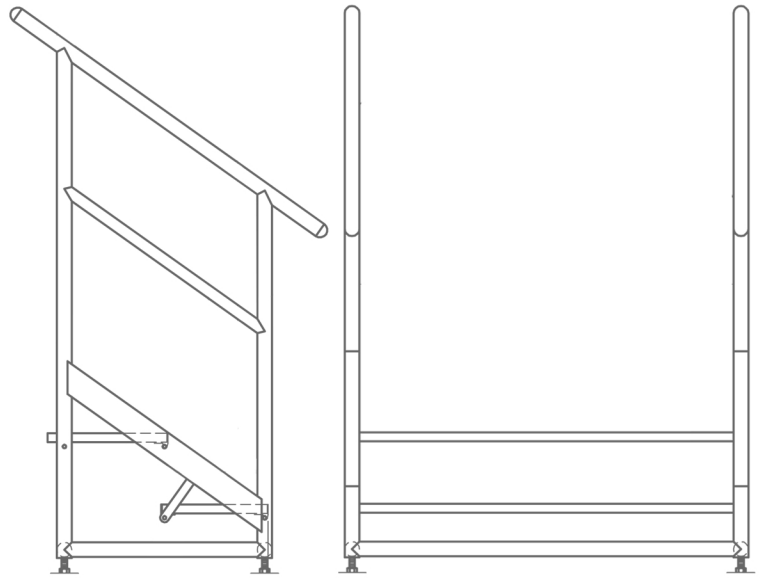


## 2 STEP FREE STANDING STAIR UNIT

### Construction

#### Features:

- Steel & Aluminum Construction
- 11 3/4" Deep x 36" Wide Non-Skid Quad Stair Treads with Rise Not to Exceed 7"
- Overall Width of Stair Unit is 38"
- Meets 150 lbs. Side Impact Load
- Base has 3" Diameter Leveling Feet w/ 3" of Fine Adjustment
- Requires No Tools for Installation
- Handrails Available Straight or Curved
- Standard Black Powder-Coating
- Installs With or Without Handrail
- Custom Designs Available



Side View

Front View

