

Construction
Features:

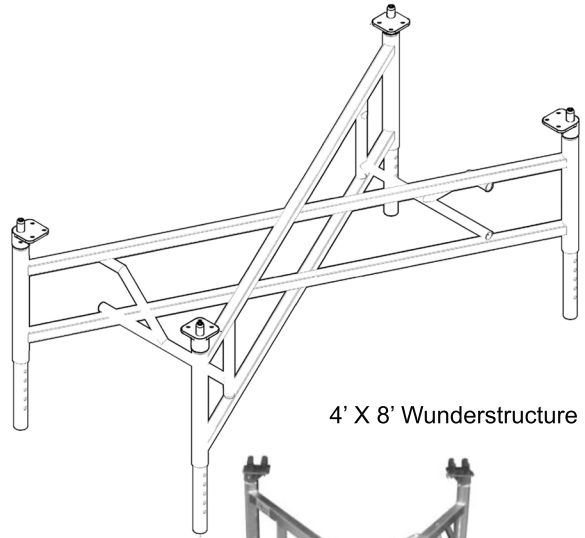
- Lightweight 6061-T6 & 6005-T5 Aluminum Construction
- Hand Activated Spring Plunger Height Adjustment
- Designed for All Terrain Environments
- Each Leg is Individually Adjustable
- Folds Flat for Easy Storage
- Monkey Claw Support Arm Attaches with Quick Release Clamp
- 2 3/4" Diameter Rubber Dipped Fine Leveling Foot Provides 3" of Fine Adjustment
- Bridging System Will Support up to 5 Decks
- Locator Plates Included with Purchases
- Requires No Tools for Installation

Options:

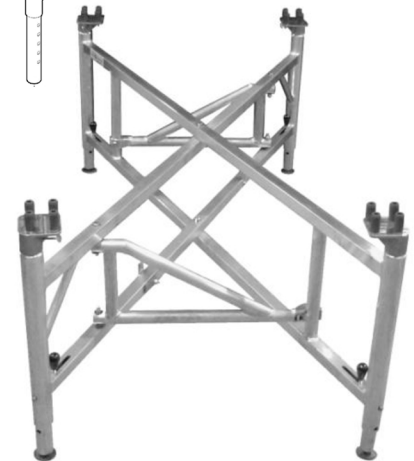
- Caster Pots Provide Quick Conversion for Rolling Stage
- Standard or Inverted Legs
- Custom Heights & Sizes
- Coupling Sleeves for Double Stacking
- Mill Finish, Powder-Coating or Anodizing (Available in a Variety of Colors)
- Leg Brace Package Required on 78"-108" Model

Sizes / Weights:

- | | |
|---------------------------------------|----------|
| • 48" Wide x 96" Long @ 24"-36" High | 100 lbs. |
| • 48" Wide x 96" Long @ 36"-56" High | 125 lbs. |
| • 48" Wide x 96" Long @ 48"-78" High | 150 lbs. |
| • 48" Wide x 96" Long @ 78"-108" High | 175 lbs. |
| • Leg Brace Package For 78"-108" High | 26 lbs. |



4' X 8' Wunderstructure



4' X 8' Decks Bridged with Wunderstructures



4' X 8' Deck with Wunderstructure



Double Stacked Wunderstructures



Rolling Wunderstructure Stage

