

TABLE OF CONTENTS	
PAGE NUMBER	DESCRIPTION
2	PARTS LIST AND LAYOUT
3-4	PARTS A-D DETAIL DRAWINGS
5-6	STEP BY STEP ASSEMBLY INSTRUCTIONS

THE INFORMATION CONTAINED IN THIS DRAWING IS THE SOLE PROPERTY OF STAGING DIMENSIONS INC. ANY REPRODUCTION IN PART OR AS A WHOLE WITHOUT THE WRITTEN PERMISSION OF AN OFFICER OF STAGING DIMENSIONS IS PROHIBITED.

SCALE: 1:4.5 O/N:

DWN BY: JB DATE: 7/11/2018

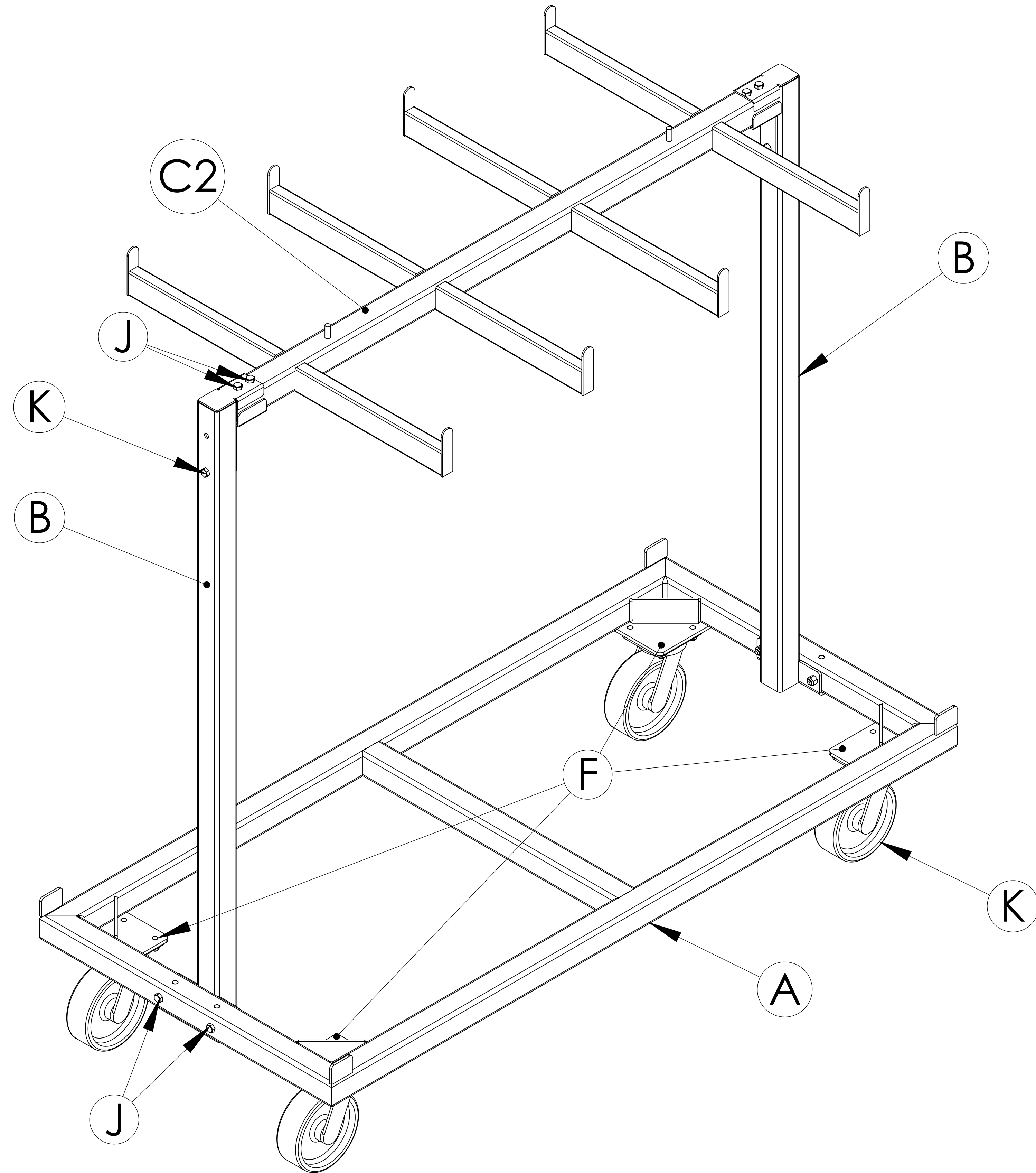
## ASSEMBLY INSTRUCTIONS

6 DECK VERTICAL CART

GUARDRAIL ARM KIT



**STAGING DIMENSIONS**  
 31 Blevins Drive ~ Suite A ~ New Castle, DE 19720  
 (866) 591-3471 ~ (302) 328-4100 PH ~ (302) 328-1034 FX  
 sales@stagingdimensions.com ~ www.stagingdimensions.com



PART #	DESCRIPTION	QTY
A	6 DECK VERTICAL CART BASE	1
B	VERTICAL CART UPRIGHT	2
C	VERTICAL CART CROSSBAR (NOT PICTURED)	0
C2	VERTICAL CART CROSSBAR, G.R.	1
D	VERTICAL CART CLAW	4
E	3/8-16 NYLOCK NUTS, LOOSE	12
F	3/8-16 NYLOCK NUTS, INSTALLED	16
G	3/8-16 FLANGE NUTS, LOOSE	4
H	3/8-16 THREADED KNOB	2
J	3/8-16 X 2-3/4" LONG HHCS	8
K	3/8-16 X 3" LONG HHCS	2
L	SD 6" SWIVEL CASTERS	4

THE INFORMATION CONTAINED IN THIS DRAWING IS THE SOLE PROPERTY OF STAGING DIMENSIONS INC. ANY REPRODUCTION IN PART OR AS A WHOLE WITHOUT THE WRITTEN PERMISSION OF AN OFFICER OF STAGING DIMENSIONS IS PROHIBITED.

SCALE: 1:4.5 O/N:

DWN BY: JB DATE: 7/11/2018

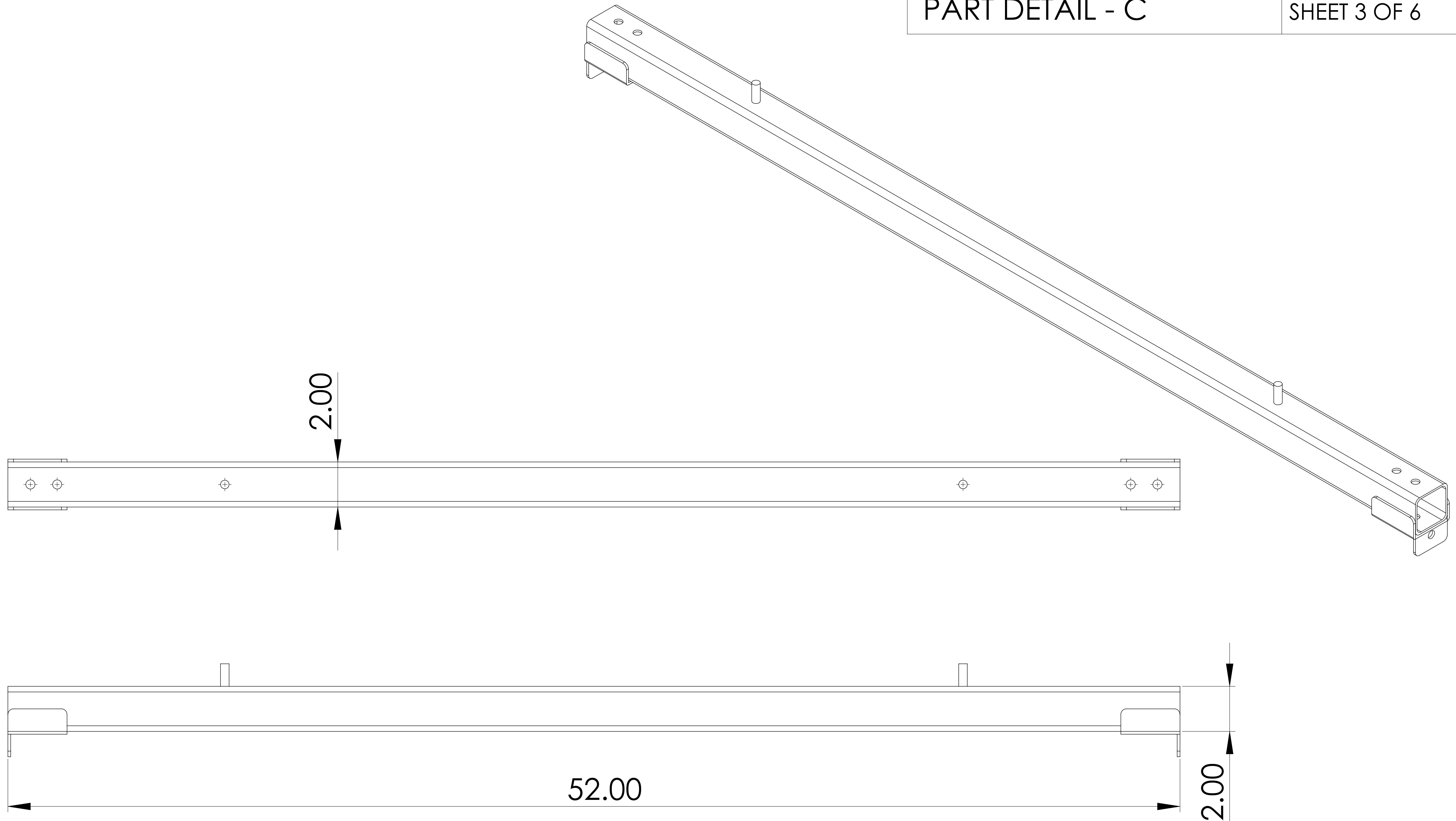
## ASSEMBLY INSTRUCTIONS

6 DECK VERTICAL CART

GUARDRAIL ARM KIT







THE INFORMATION CONTAINED IN THIS DRAWING IS THE SOLE PROPERTY OF STAGING DIMENSIONS INC. ANY REPRODUCTION IN PART OR AS A WHOLE WITHOUT THE WRITTEN PERMISSION OF AN OFFICER OF STAGING DIMENSIONS IS PROHIBITED.

SCALE: 1:2

O/N:

DWN BY: JB

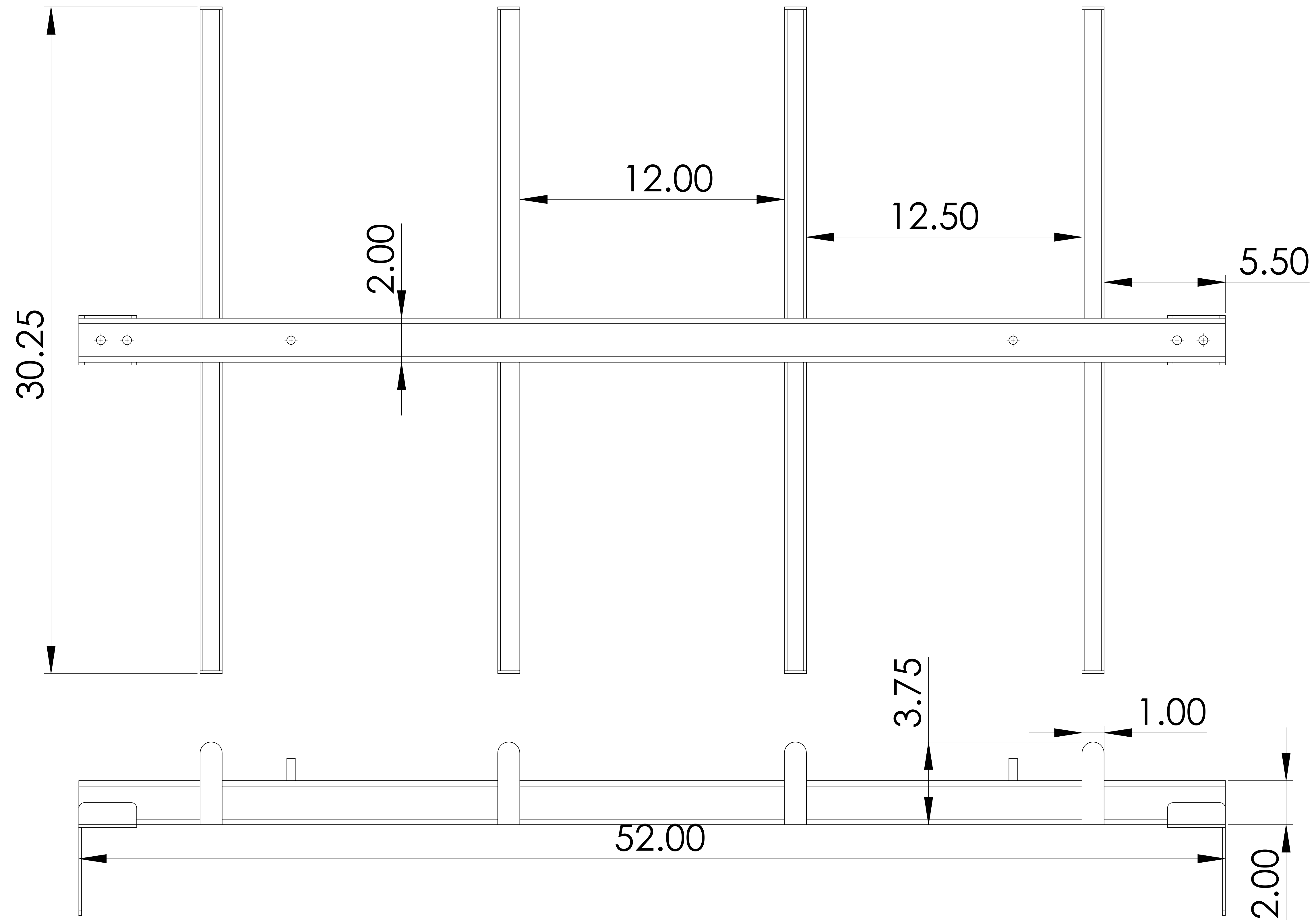
DATE: 7/11/2018

6 DECK VERTICAL CART ASSEMBLY INSTRUCTIONS  
-GUARDRAIL ARM KIT

STAGING DIMENSIONS, INC.  
31 BLEVINS DRIVE  
NEW CASTLE, DE 19720  
WWW.STAGINGDIMENSIONS.COM

(302) 328-4100  
-PHONE-

(302) 328-1034  
-FAX-



THE INFORMATION CONTAINED IN THIS DRAWING IS THE SOLE PROPERTY OF STAGING DIMENSIONS INC. ANY REPRODUCTION IN PART OR AS A WHOLE WITHOUT THE WRITTEN PERMISSION OF AN OFFICER OF STAGING DIMENSIONS IS PROHIBITED.

SCALE: 1:2.5 O/N:

DWN BY: JB DATE: 7/11/2018

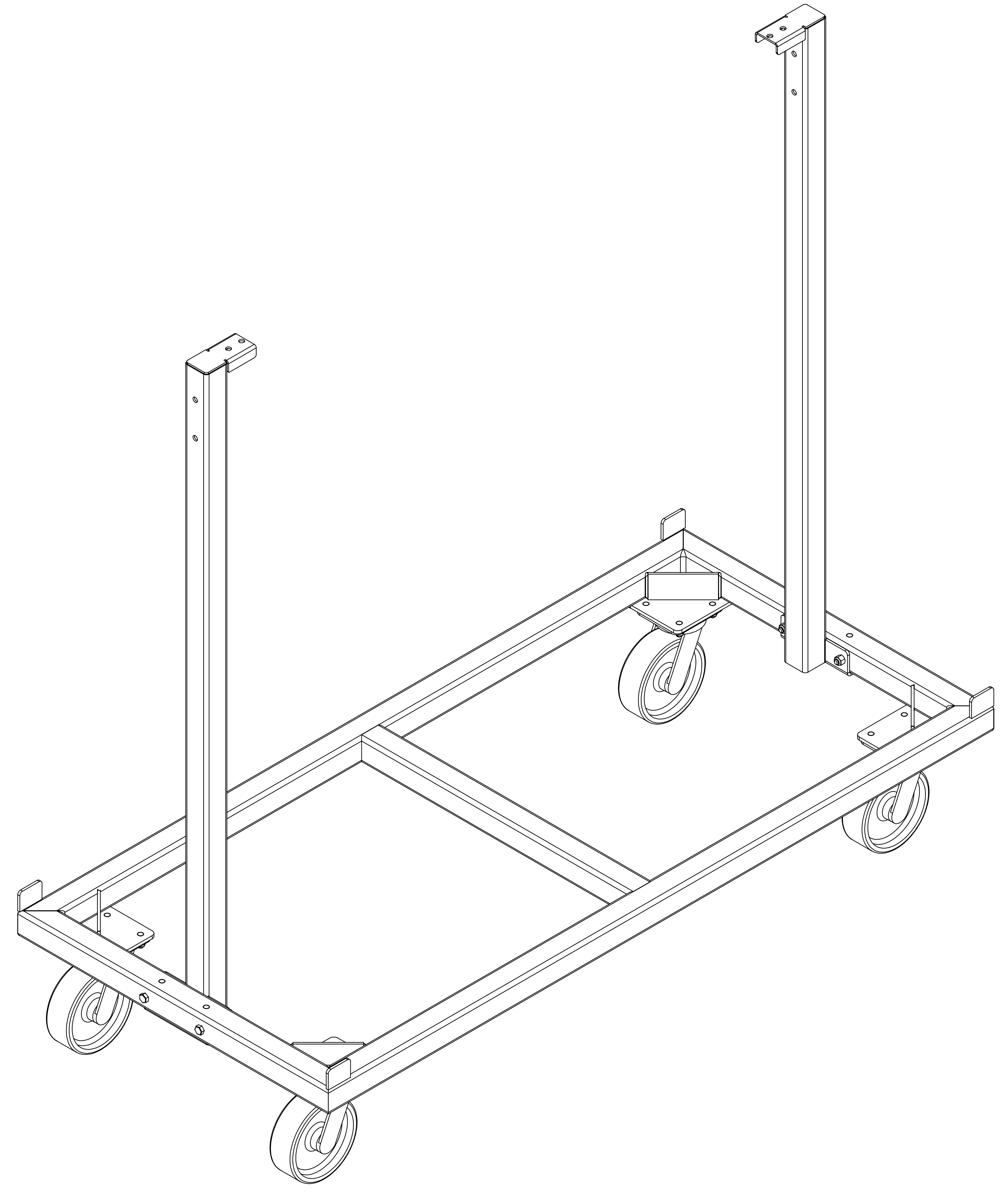
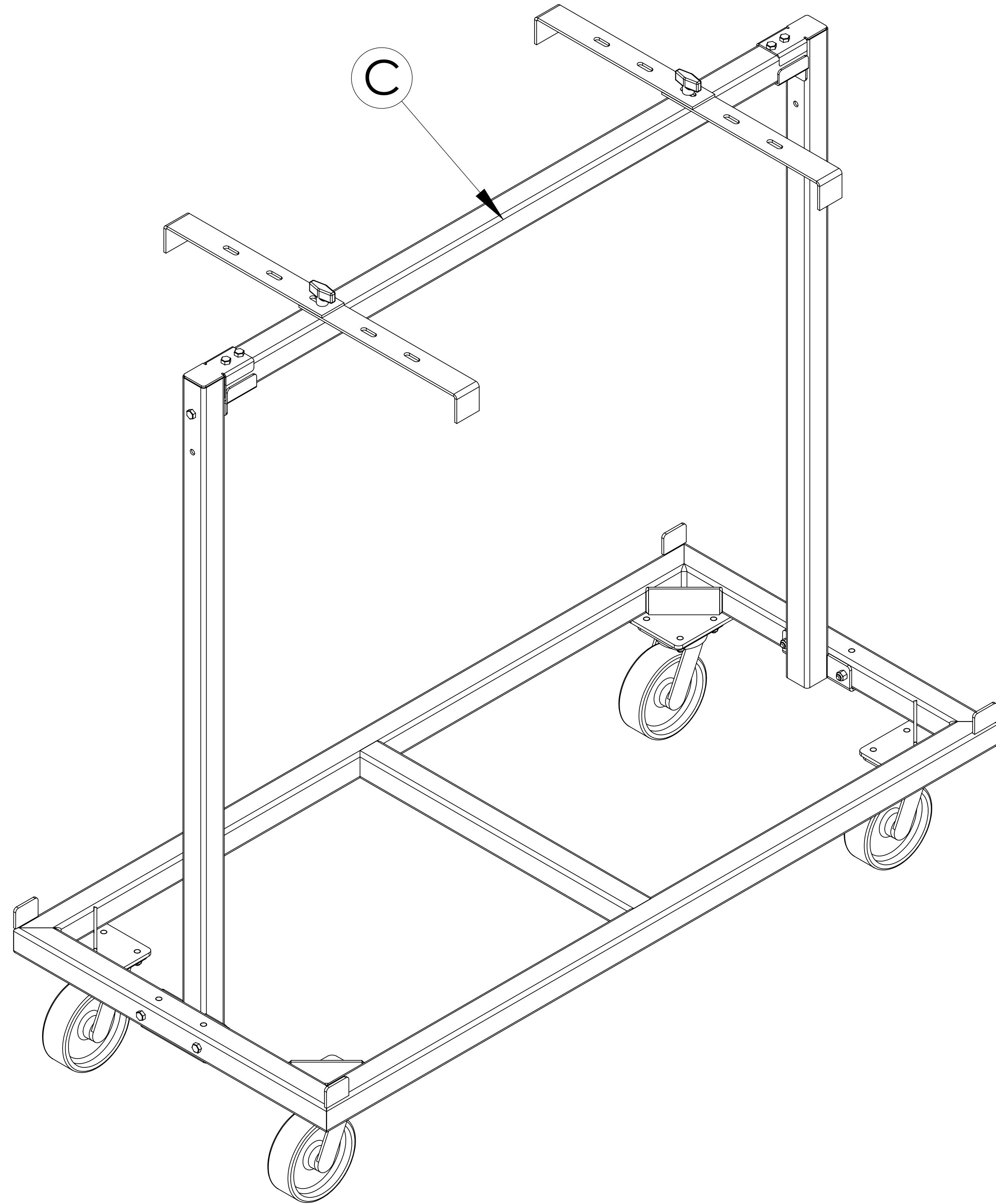
6 DECK VERTICAL CART ASSEMBLY INSTRUCTIONS  
- GUARDRAIL ARM KIT

STAGING DIMENSIONS, INC.  
31 BLEVINS DRIVE  
NEW CASTLE, DE 19720  
WWW.STAGINGDIMENSIONS.COM

(302) 328-4100  
-PHONE-

(302) 328-1034  
-FAX-

**STEP 1: REMOVE THE STANDARD CROSSBAR (PART C) AND KEEP ALL FASTENERS**



THE INFORMATION CONTAINED IN THIS DRAWING IS THE SOLE PROPERTY OF STAGING DIMENSIONS INC. ANY REPRODUCTION IN PART OR AS A WHOLE WITHOUT THE WRITTEN PERMISSION OF AN OFFICER OF STAGING DIMENSIONS IS PROHIBITED.

SCALE: 1:4.5 O/N:

DWN BY: JB DATE: 7/11/2018

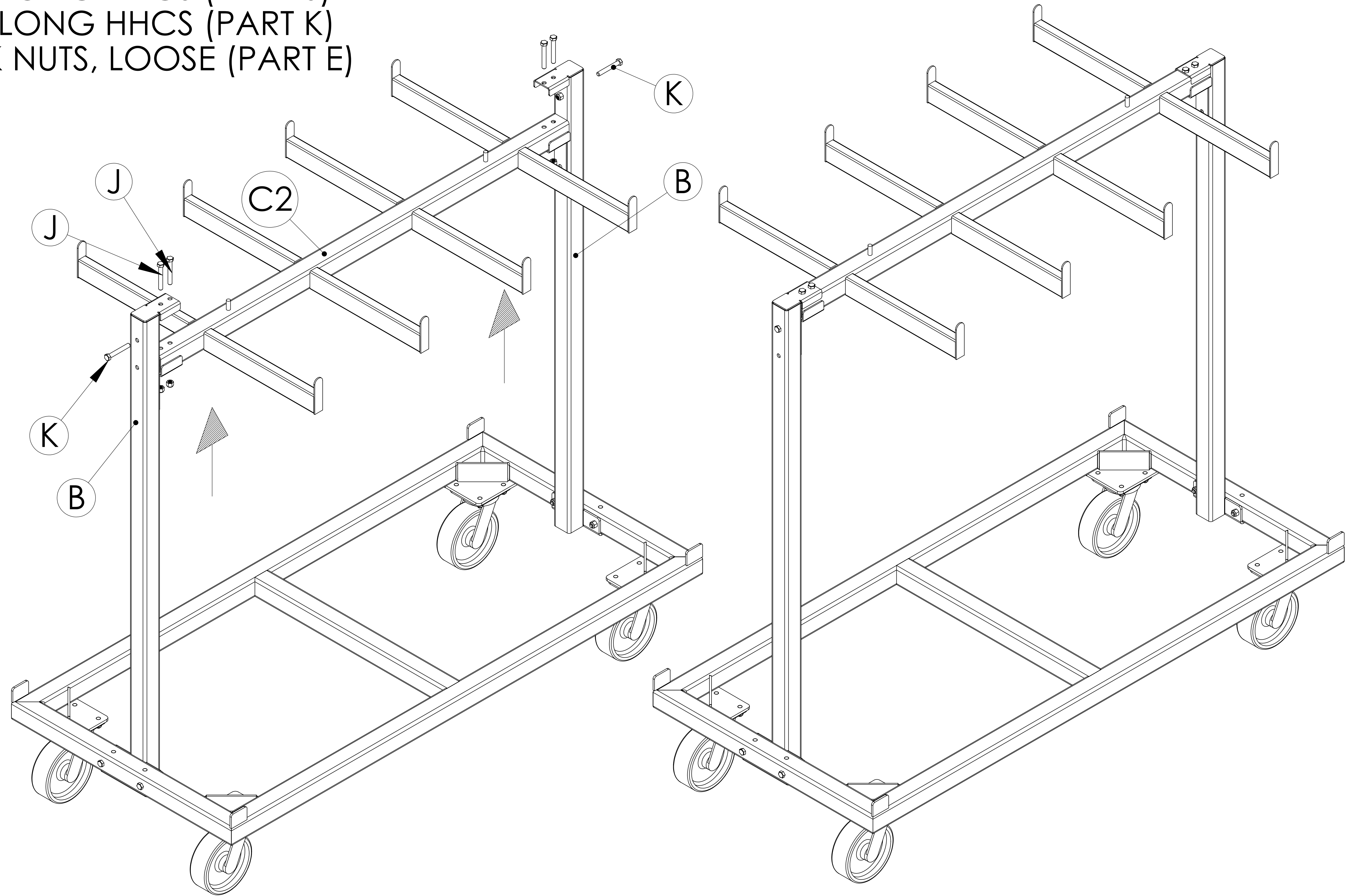
6 DECK VERTICAL CART ASSEMBLY INSTRUCTIONS  
- GUARDRAIL ARM KIT

STAGING DIMENSIONS, INC.  
31 BLEVINS DRIVE  
NEW CASTLE, DE 19720  
WWW.STAGINGDIMENSIONS.COM

(302) 328-4100  
-PHONE-

(302) 328-1034  
-FAX-

**STEP 2: MOUNT PART "C2" TO BOTH PART "B" PIECES WITH**  
 (4) 3/8-16 X 2-3/4" LONG HHCS (PART J)  
 (2) 3/8-16 X 2-1/2" LONG HHCS (PART K)  
 (6) 3/8-16 NYLOCK NUTS, LOOSE (PART E)



THE INFORMATION CONTAINED IN THIS DRAWING IS THE SOLE PROPERTY OF STAGING DIMENSIONS INC. ANY REPRODUCTION IN PART OR AS A WHOLE WITHOUT THE WRITTEN PERMISSION OF AN OFFICER OF STAGING DIMENSIONS IS PROHIBITED.

SCALE: 1:4.5 O/N:

DWN BY: JB DATE: 7/11/2018

6 DECK VERTICAL CART ASSEMBLY INSTRUCTIONS  
 - GUARDRAIL ARM KIT

STAGING DIMENSIONS, INC.  
 31 BLEVINS DRIVE  
 NEW CASTLE, DE 19720  
 WWW.STAGINGDIMENSIONS.COM

(302) 328-4100  
 -PHONE-

(302) 328-1034  
 -FAX-